

# Fisher® YD and YS Control Valves

Fisher YD and YS three-way cage-guided valves are designed for throttling or flow-switching (on-off) service, and are available in the following constructions:

**YD (Balanced)**—For general converging (flow-mixing) and diverging (flow-splitting) service. Available in standard and high-temperature versions (see figure 1).

**YS (Unbalanced)**—For general converging service. When used in diverging service, recommended for on-off applications only (see figure 1).

The Fisher YD and YS product lines are available for a wide range of applications, including sulfide and chloride stress-cracking environments common to the oil and gas production industries. To discuss available constructions, contact your Emerson Process Management sales office and include the applicable codes and standards required for these environments.



W7593

Fisher YD Valve with 667 Actuator

## Features

- **Economy**—Balanced valve plug construction in the YD permits use of smaller, lower-cost actuators. A single one-piece valve accommodates both trim designs and uses Fisher easy-e™ bonnets, gaskets, and packing, thus cutting spare part inventory costs.
- **Application Flexibility**—Multipurpose capability results from a valve designed specifically for three-way control. A variety of valve sizes, end connections, port diameters, and trim materials provides design versatility for your control needs.
- **Excellent Sealing Capabilities**—The ENVIRO-SEAL™ packing system option is available. This packing system provides excellent sealing, guiding, and loading force transmission. The improved sealing of the ENVIRO-SEAL system can help control emissions to below the EPA (Environmental Protection Agency) limit of 100 ppm (parts per million) from

valves. The ENVIRO-SEAL packing systems feature PTFE, Graphite ULF, or Duplex packing with live-loading for reduced packing maintenance.

- **Long Trim Life**—Hardened trim materials provide excellent wear resistance.
- **Easy Maintenance**—Cage-type construction simplifies inspection and removal of parts.
- **Parts Commonality**—Packing parts, including packing flange, studs and nuts, and packing kits, are common to the YD, YS, and Fisher easy-e control valves.
- **Valve Plug Stability**—Rugged cage guiding provides high valve plug stability, which reduces vibration and mechanical noise.



## Specifications

### Valve Sizes, Ratings, and End Connections <sup>(1,2)</sup>

#### Cast Iron Valves

*Flanged:* NPS 1 through 6 CL125 flat-face or 250 raised-face flanges per ASME B16.1

*Screwed:* NPS 1/2 through 2 consistent with ASME B16.4

#### Steel and Stainless Steel Valves

*Flanged:* NPS 1 through 8 CL150, 300, and 600 raised-face or ring-type joint flanges per ASME B16.5

*Screwed or Socket Welding:* NPS 1/2 through 2 consistent with ASME B16.11

*Buttwelding:* NPS 1 through 8<sup>(5)</sup>. All available ASME B16.25 schedules that are consistent with ASME B16.34

### Maximum Inlet Pressures and Temperatures<sup>(1)(2)</sup>

As listed below, unless limited by maximum pressure drop or material temperature capabilities.

#### Cast Iron Valves

*Flanged:* Consistent with CL125B or 250B per ASME B16.1

*Screwed:* Consistent with flanged CL250 per ASME B16.4

#### Steel and Stainless Steel Valves

*Flanged:* Consistent with CL150, 300, and 600<sup>(3)</sup> per ASME B16.34

*Screwed or Welding:* Consistent with flanged CL600<sup>(3)</sup> per ASME B16.34

### Operative Pressure/Temperature Limits<sup>(1, 2)</sup>

#### Pressure Drop Limit Due to Gasket Loading:

See table 1

#### Shutoff Pressure Drop Limits with Typical Actuators:

See tables 6, 7, and 8

#### Pressures and Temperatures for Trims Only:

See figure 7

#### Temperatures for Body-Trim Combinations:

See table 5

#### Temperatures for All Other Parts: See table 3

### Shutoff Classifications per ANSI/FCI 70-2 and IEC 60534-4

#### YD

*Standard Design:* Class IV

*High-Temperature Design:* Class II

#### YS

*Standard Class:* Class IV

*Optional Class:* Class V (NPS 1 through 4)

### Flow Characteristic

Linear

### Flow Direction

See figure 6

### Flow Coefficients and Noise Level Prediction

Refer to Fisher Catalog 12

- continued -

## Table of Contents

Features .....	1	Maximum Allowable YD Shutoff Pressure	
Specifications .....	2	Drops with 657 and 667 Actuators .....	12
ENVIRO-SEAL Packing System Specifications .....	4	Maximum Allowable YS	
Flow Directions .....	5	(Converging Service) Shutoff Pressure	
ENVIRO-SEAL, HIGH-SEAL Packing Systems .....	6	Drops with 657 and 667 Actuators .....	15
Installation .....	6	Maximum Allowable YS	
Tables		(Diverging Service) Shutoff Pressure Drops with 657	
Travel, Port, and Gasket Loading		and 667 Actuators (ON-OFF) application only--	
Pressure Drop Information .....	8	No throttling service .....	18
Trim Materials .....	8	Bonnet Selection Guidelines .....	22
Materials and Temperature Limits for Other Parts . .	9	Dimensions .....	22
Valve Body-Trim Temperature Capabilities .....	10	Ordering Information .....	22

## Specifications (continued)

### Valve Plug Styles

YD: Balanced, metal-seated

YS: Unbalanced, metal-seated

### Rated Travels and Port Diameters

See table 1

### Yoke Boss and Stem Diameters for Actuator Mounting

VALVE SIZE, NPS	VALVE STEM AND YOKE BOSS DIAMETERS, INCHES			
	Standard		Optional	
	Yoke Boss	Stem	Yoke Boss	Stem
<b>mm</b>				
1/2, 3/4, 1, 1-1/2	54	9.5	71	12.7
2, 2-1/2, 3, 4	71	12.7	90	19.1
6	90	19.1	127	25.4
8	90	19.1	---	---
<b>Inch</b>				
1/2, 3/4, 1, 1-1/2	2-1/8	3/8	2-13/16	1/2
2, 2-1/2, 3, 4	2-13/16	1/2	3-9/16	3/4
6	3-9/16	3/4	5	1
8	3-9/16	3/4	---	---

### Actuator Sizing

Pneumatic: See tables 6, 7, and 8

Electric: See Fisher Catalog 14. Electric actuators must be capable of up and down thrust limits

### Bonnet Styles

See table 11

### Construction Materials

**Valve Body and Bonnet:** ■ Cast iron (except extension bonnet), ■ WCC steel, ■ WC9 chrome moly steel, or ■ CF8M (316 SST)

**Trims:** See table 2

**All Other Parts:** See table 3

### Approximate Shipping Weights

VALVE SIZE, NPS	SHIPPING WEIGHT	
	kg	lb
1/2, 3/4	14	30
1	18	40
1-1/2	27	60
2	39	85
2-1/2	50	110
3	68	150
4	109	240
6	227	500
8	345	760

### Options

- Lubricator or lubricator/isolating valve for packing lubrication
- Drilled and tapped connection in extension bonnet for leakoff
- ENVIRO-SEAL live-loaded packing systems<sup>(4)</sup>

1. PN (or other) ratings and end connections can usually be supplied; consult your Emerson Process Management sales office.  
 2. The pressure or temperature limits in this bulletin and any applicable standard limitations should not be exceeded. OPERATIVE LIMITS term is defined in SAMA Standard PMC 20.1.  
 3. Certain bonnet bolting material selections may require a CL600 easy-e valve assembly to be derated. Contact your Emerson Process Management sales office for more information.  
 4. For additional information, see Bulletin 59.1:061 ENVIRO-SEAL and HIGH-SEAL Packing Systems for Sliding-Stem Valves.  
 5. BWE not available for NPS 8 with high temperature trim, see figure 2. Lower cage cannot be removed unless bottom flange adaptor is removed.

## ENVIRO-SEAL Packing System Specifications

### Applicable Stem Diameters

■ 9.5 mm (3/8 inches), ■ 12.7 (1/2), ■ 19.1 (3/4), and ■ 25.4 (1) diameter valve stems

### Maximum Pressure/Temperature Limits<sup>(1)</sup>

**To Meet the EPA Fugitive Emission Standard of 100 PPM<sup>(2)</sup>**

For ENVIRO-SEAL PTFE and ENVIRO-SEAL Duplex packing systems: full CL300 up to 232°C (450°F)

For ENVIRO-SEAL Graphite ULF packing system: 104 bar (1500 psig) at 316°C (600°F)

### Construction Materials

#### PTFE Packing Systems

Packing Ring and Lower Wiper: PTFE V-ring<sup>(3)</sup>

Male and Female Adaptor Rings: Carbon-filled PTFE V-ring

Anti-Extrusion Washer: Filled PTFE

Lantern Ring: S31600 (316 stainless steel)

Spring: ■ 17-7PH stainless steel or ■ N06600

Packing Box Flange: S31600

Packing Follower: S31600 lined with carbon-filled PTFE

Packing Box Studs: SA193-B8M Class 2

Packing Box Nuts: S31600

#### Graphite ULF Packing Systems

Packing Ring: Graphite rings

Spring: ■ 17-7PH stainless steel or ■ N06600

Packing Box Flange: S31600

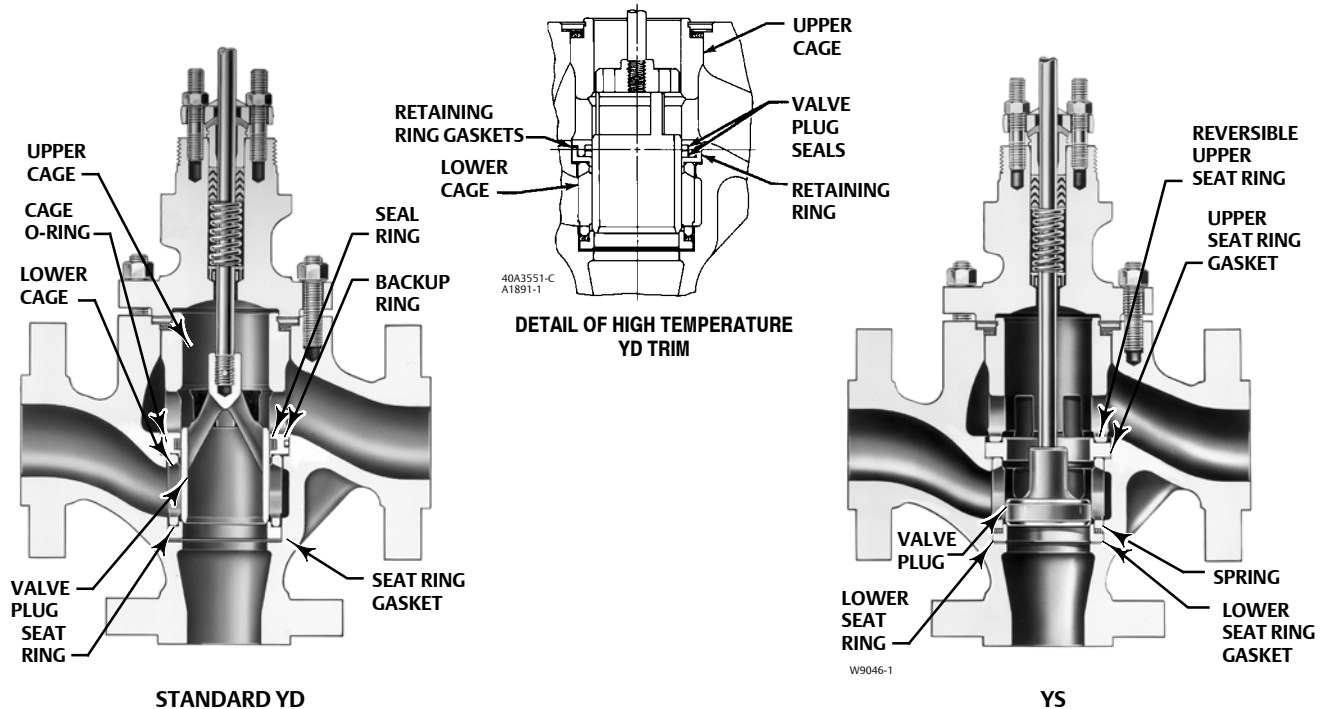
Packing Follower: S31600 lined with carbon-filled PTFE

Packing Box Studs: SA193-B8M Class 2

Packing Box Nuts: S31600

1. Refer to the valve specifications in this bulletin for pressure/temperature limits of valve parts. Do not exceed the pressure/temperature rating of the valve. Do not exceed any applicable code or standard limitation.
2. The Environmental Protection Agency (EPA) has set a limit of 100 parts per million (ppm) for fugitive emissions from a valve in selected VOC (Volatile Organic Compound) services.
3. In vacuum service, reversing the ENVIRO-SEAL PTFE packing rings is not necessary.

Figure 1. Construction Details



W9045-1

W9046-1

Figure 2. Construction Details - NPS 8 YD-High Temperature

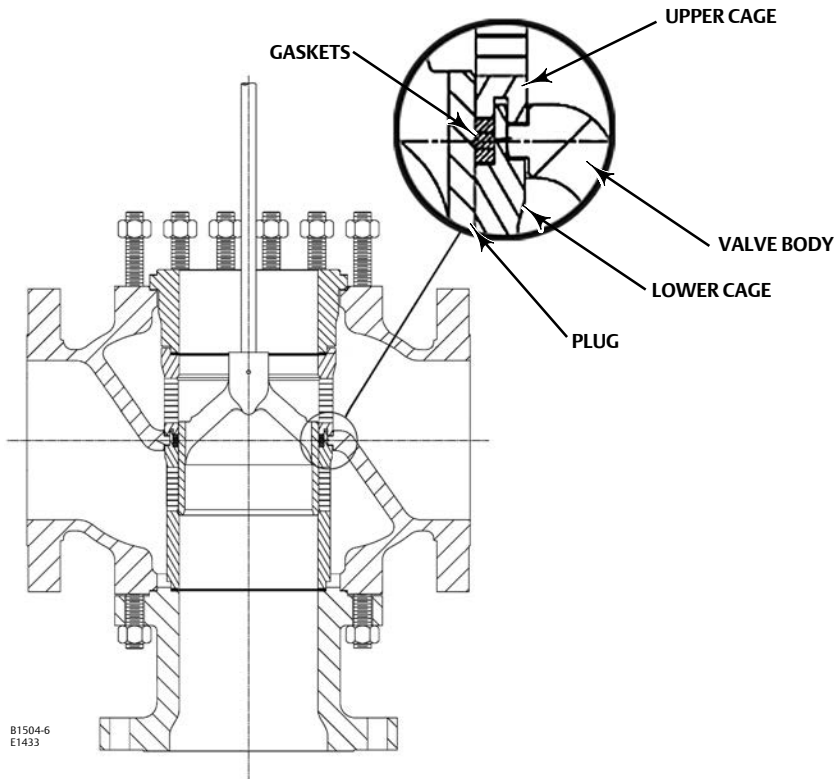
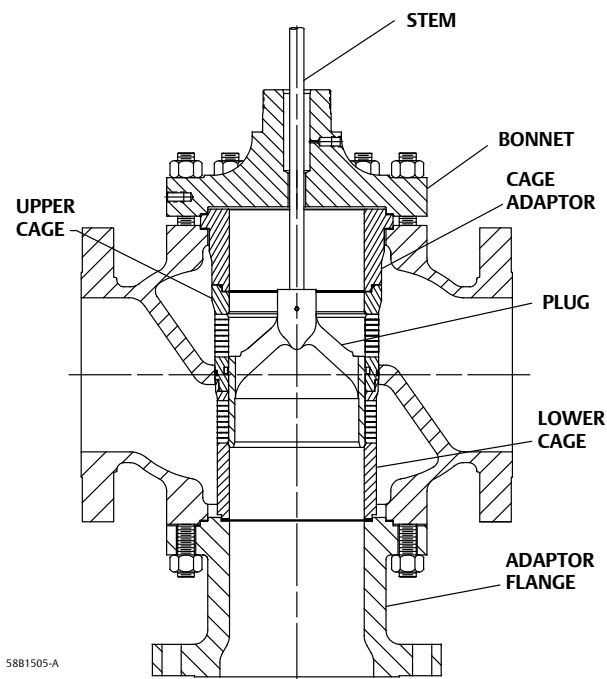


Figure 3. Construction Details - NPS 8 YD



## Flow Directions

YD (Common Port on Bottom) see figure 6

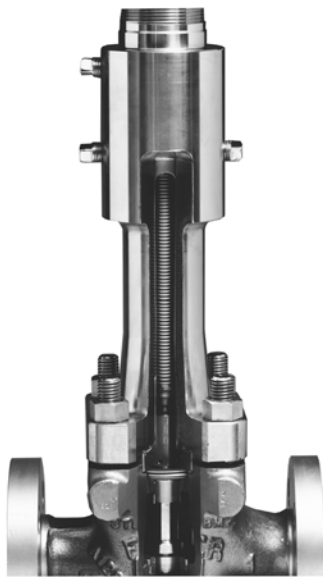
- **Plug Down, Left-Hand Port Closed**--Flow in converging service is from right to bottom port and in diverging service is from bottom to right port.
- **Plug Up, Right-Hand Port Closed**--Flow in converging service is from left to bottom port and in diverging service is from bottom to left port.
- **Intermediate Plug Positions**--Flow in converging service is from both left and right ports to bottom port, with capacities in proportion to plug travel. Flow in diverging service is from bottom port to both left and right ports, with capacities split in proportion to plug travel.

YS (Common Port on Left) see figure 6

- **Plug Down, Bottom Port Closed**--Flow in converging service is from right to left port and in diverging service is from left to right port.

- **Plug Up, Right-Hand Port Closed**--Flow in converging service is from bottom to left port and in diverging service is from left to bottom port.
- **Intermediate Plug Positions**--Flow in converging service is from both bottom and right ports to left port, with capacities in proportion to plug travel.

**Figure 4. Cutaway of ENVIRO-SEAL Bellows Seal Bonnet and Internal Shroud, Showing Bellows**



W5852-1

## ENVIRO-SEAL, HIGH-SEAL Packing Systems

ENVIRO-SEAL and HIGH-SEAL packing systems offer excellent sealing capabilities. These systems easily install in your existing valves or can be purchased with new valves. These systems help you seal your process to conserve valuable process fluid. The long

operational life and reliability of these systems also reduce your maintenance costs and downtime.

For applications requiring compliance with environmental protection regulations, the unique ENVIRO-SEAL packing system (figure 5) and, for hazardous service, the ENVIRO-SEAL bellows seal system (figure 4) are offered. The emission control packing system keeps emission concentrations below the EPA 100 ppm requirement.

For an excellent stem seal in applications that are not environmentally sensitive, the HIGH-SEAL Graphite ULF packing system (figure 5) is offered. The HIGH-SEAL packing system provides excellent sealing at pressure/temperature ratings beyond ENVIRO-SEAL limits. ENVIRO-SEAL systems may also be applied for excellent stem sealing in higher pressure/temperature applications not requiring EPA compliance.

ENVIRO-SEAL packing systems, available with PTFE, Graphite ULF, or Duplex packing, and the HIGH-SEAL Graphite ULF packing system feature live-loading and unique packing-ring arrangements for long-term, consistent sealing performance.

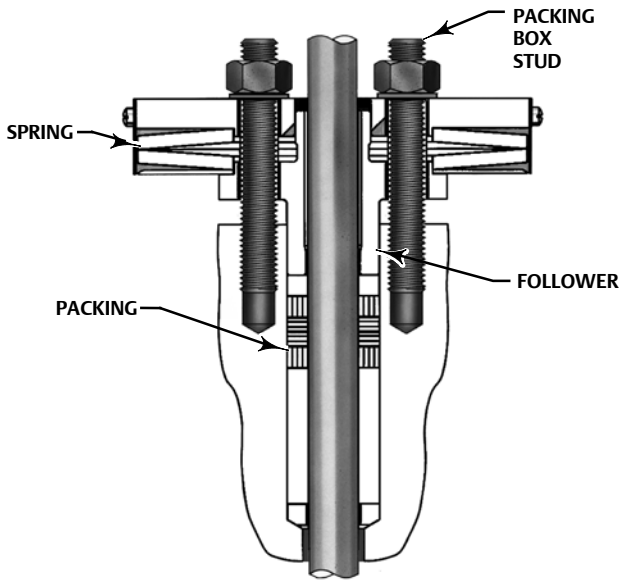
## Installation

Although YD and YS valves may be mounted with the actuator in any position relative to the valve, the normal position is with the valve in a horizontal run of pipe and the actuator vertical above the valve. The actuator should be supported in any position other than vertical. Orient the valve so that valve plug positions and flow directions will conform to the flow indicator plate on the valve body.

Dimensions are shown in figure 8.

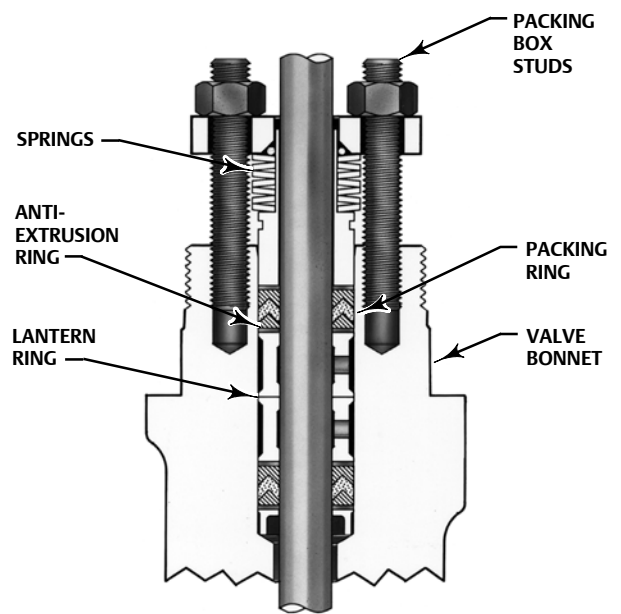
**Note: For the NPS 8 high temperature construction, the bottom flange MUST be removed to access and remove the lower cage (see figure 2). BWE end connections are not available for the NPS 8 high temperature constructions for this reason.**

Figure 5. ENVIRO-SEAL and HIGH-SEAL Packing Systems



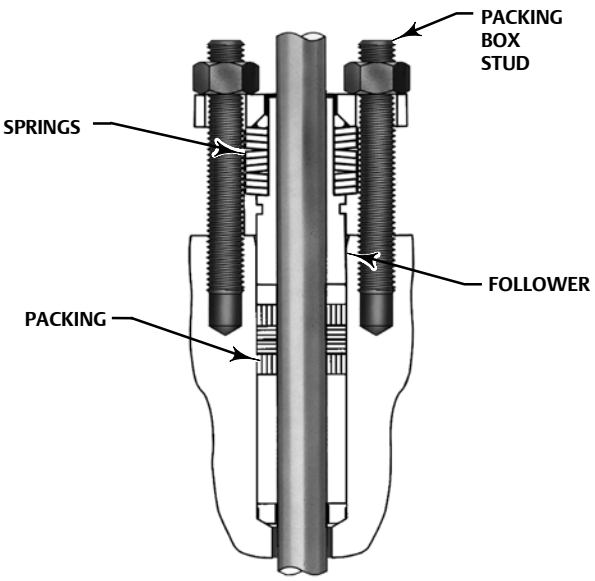
W8533-1

TYPICAL HIGH-SEAL PACKING SYSTEM WITH GRAPHITE ULF PACKING



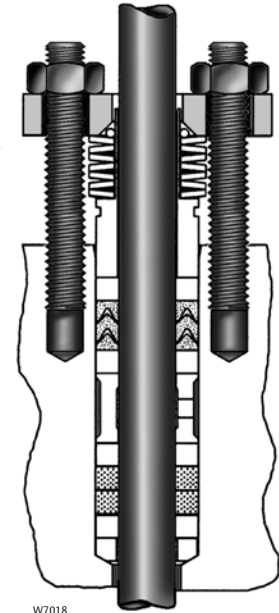
W5803-3

TYPICAL ENVIRO-SEAL PACKING SYSTEM WITH PTFE PACKING



W8532-1

TYPICAL ENVIRO-SEAL PACKING SYSTEM WITH GRAPHITE ULF PACKING



W7018

TYPICAL ENVIRO-SEAL PACKING SYSTEM WITH DUPLEX PACKING

**Table 1. Travel, Port, and Gasket Loading Pressure Drop Information**

VALVE SIZE, NPS	MAXIMUM RATED TRAVEL		SEAT RING PORT DIAMETER		PRESSURE DROP LIMIT DUE TO GASKET LOADING			
	mm	Inches	mm	Inches	YS		YD <sup>(1)</sup>	
					bar	psig	bar	psig
1/2, 3/4, 1, 1-1/2	19	0.75	33.3	1.3125	41.4	600	103.4	1500
2, 2-1/2	29	1.125	58.7	2.3125	31.7	460		
3	38	1.5	87.3	3.4375	37.9	550		
4	51	2	111.1	4.375	38.6	560		
6	51	2	177.8	7	52.4	760		
8 <sup>(2)</sup>	57.2	2.25	177.8	7	---	---		

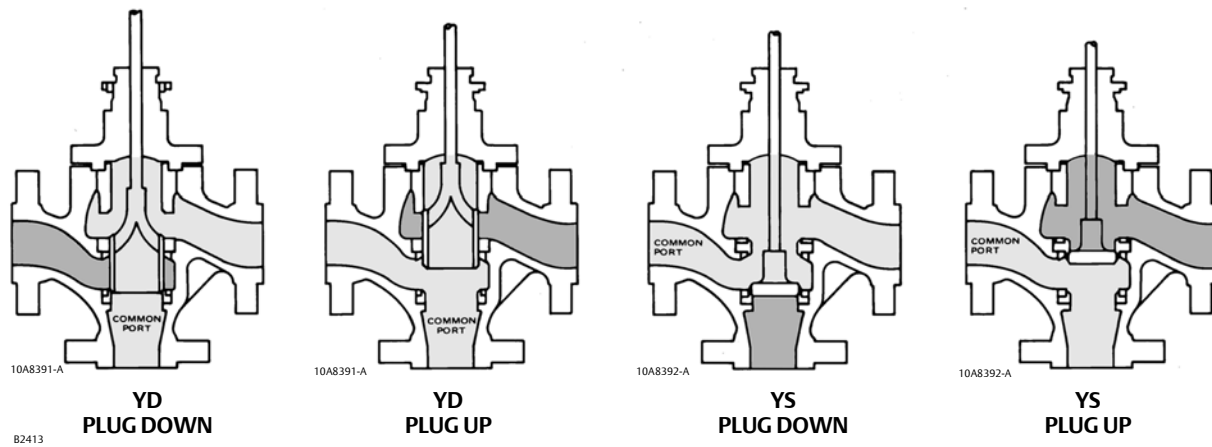
1. For standard YD only. For high temperature YD, consult your Emerson Process Management sales office.  
2. NPS 8 only available in YD construction.

**Table 2. Trim Materials**

PART	MATERIAL			
		Trim 1	Trim 2 <sup>(1)</sup>	Trim 2A
Valve Plug	YD	CB7Cu-1 (17-4PH SST)	CF8M (316 SST)	CF8M/CoCr-A
	YS	S41600 (416 SST)	S31600 (316 SST)	CF8M/CoCr-A
Upper Cage and Lower Cage		CB7Cu-1	CF8M, ENC	CF8M, ENC
Upper Cage Retaining Ring (High-Temperature YD Only)		S41600	CF8M	CF8M
Upper Seat Ring (YS Only) and Lower Seat Ring		S41600	S31600	S31600/CoCr-A

1. Standard trim for stainless steel valves.

**Figure 6. Flow Directions**





**Table 3. Materials and Temperature Limits for Other Parts**

PART			MATERIAL		IN-BODY PROCESS TEMPERATURE				
					°C		°F		
					Min	Max	Min	Max	
Body-to-bonnet bolting. See table 4 for NACE bolting materials and temperatures	Cast iron body		Cap screws	Steel SAE Grade 5	-29	232	-20	450	
	WCC body		Studs	Steel SA-193-B7	-29	427 <sup>(1)</sup>	-20	800 <sup>(1)</sup>	
			Nuts	Steel SA-194-2H					
	316 stainless steel (CF8M)		Studs	Steel SA-193-B7 (std)	-48	427 <sup>(1)</sup>	-55	800 <sup>(1)</sup>	
			Nuts	Steel SA-194-2H (std)					
			Studs	304 stainless steel SA-320-B8	-198	38	-325	100	
			Nuts	304 stainless steel SA-194-8					
			Studs	316 stainless steel SA-193-B8M (strain-hardened)	-198 <sup>(2)</sup>	427 <sup>(1)</sup>	-325 <sup>(2)</sup>	800 <sup>(1)</sup>	
			Nuts	316 stainless steel SA-194-8M					
			Studs	316 stainless steel SA-194-B8M (annealed)	-198 <sup>(2)</sup>	These mat'ls not limiting factors	-325 <sup>(2)</sup>	These mat'ls not limiting factors	
			Nuts	316 stainless steel SA-194-8M					
LCC body		Studs	Steel SA-193-B7	-46	343 <sup>(1)</sup>	-50	650 <sup>(1)</sup>		
		Nuts	Steel SA-194-2H						
Valve plug stem and pin			S31600 (316 SST)		-254	... <sup>(1)</sup>	-425	... <sup>(1)</sup>	
Plug-cage seals (YD only)	Standard YD	Cage O-ring and backup ring	Ethylene propylene <sup>(2)</sup>		-40	232	-40	450	
			Nitrile <sup>(3)</sup>	With hydrocarbons, air		-34	71	-30	160
				With other process fluids		-34	82	-30	180
		Fluorocarbon <sup>(4)</sup>		-18	204	0	400		
	Seal ring		Carbon-filled PTFE		-73	232	-100	450	
	High-temperature YD	Valve plug seals	Graphite		-254	... <sup>(1)</sup>	-425	... <sup>(1)</sup>	
Retaining ring gaskets		FGM Graphite/S31600		-254	... <sup>(1)</sup>	-425	... <sup>(1)</sup>		
Bonnet gasket			FGM Graphite/S31600		-254	... <sup>(1)</sup>	-425	... <sup>(1)</sup>	
Retaining ring gaskets (High-temperature YD only)			FGM Graphite/S31600		-254	... <sup>(1)</sup>	-425	... <sup>(1)</sup>	
Spiral wound gaskets			N06600/graphite FGM-standard		-198	... <sup>(1)</sup>	-325	... <sup>(1)</sup>	
Spiral wound spring	NPS 1 to 3		N06600/graphite FGM		-198	... <sup>(1)</sup>	-325	... <sup>(1)</sup>	
	NPS 4 to 8		N06600		-198	... <sup>(1)</sup>	-325	... <sup>(1)</sup>	
Packing (temperatures calculated for standard bonnet)	Standard		PTFE V-ring		-40	232	-40	450	
	Optional		PTFE/composition		-73	232	-100	450	
			Graphite ribbon/filament		-254	... <sup>(1)</sup>	-425	... <sup>(1)</sup>	
Packing flange, studs, and nuts			316 SST		-254	... <sup>(1)</sup>	-425	... <sup>(1)</sup>	
Packing box ring			316 SST		-254	... <sup>(1)</sup>	-425	... <sup>(1)</sup>	
All other metal packing box parts			316 SST		-254	... <sup>(1)</sup>	-425	... <sup>(1)</sup>	
<p>1. Maximum temperature of this part not a limiting factor.                  2. Has excellent moisture resistance with hot water and steam and may be used with most fire-resistant hydraulic oils, but cannot be used with petroleum-based fluids and other hydrocarbons.                  3. General-purpose material with good resistance to petroleum-based lubricating oils, gasoline, and other hydrocarbons. Not for use with fire-resistant hydraulic oils.                  4. For high-temperature air, hydrocarbons, and certain other chemicals and solvents, but cannot be used with ammonia, steam, or hot water.</p>									

**Table 4. Bolting Materials and Temperature Limits for Bolting Compliance with NACE Specification MR0175-2002, MR0157/ISO 15156, and MR0103**

VALVE BODY MATERIAL		BOLTING MATERIAL		TEMPERATURE CAPABILITIES			
				°C		°F	
				Min	Max	Min	Max
<b>NACE MR0175-2002, MR0157/ISO 15156, and MR0103 (non-exposed bolting) (Standard)</b>							
WCC and CF8M (316 SST)	Studs	Steel SA-193-B7		-48 <sup>(3)</sup>	427	-55 <sup>(3)</sup>	800
	Nuts	Steel SA-194-2H					
<b>NACE MR0175-2002 (exposed bolting) (Optional) No Derating of Valve Required</b>							
WCC and CF8M	Studs	Steel SA-564-630 (H1150 dbI <sup>(1)</sup> )		-46 <sup>(3)</sup>	343	-50 <sup>(3)</sup>	650
	Nuts	Steel SA-194-2HM					
<b>NACE MR0175-2002, MR0157/ISO 15156, and MR0103 (exposed bolting) (Optional) Requires Derating of Valve<sup>(2)</sup> When These Body-to-Body Bolting Materials are Used</b>							
WCC and CF8M	Studs	Steel SA-193-B7M		-48 <sup>(3)</sup>	427	-55 <sup>(3)</sup>	800
	Nuts	Steel SA-194-2HM					

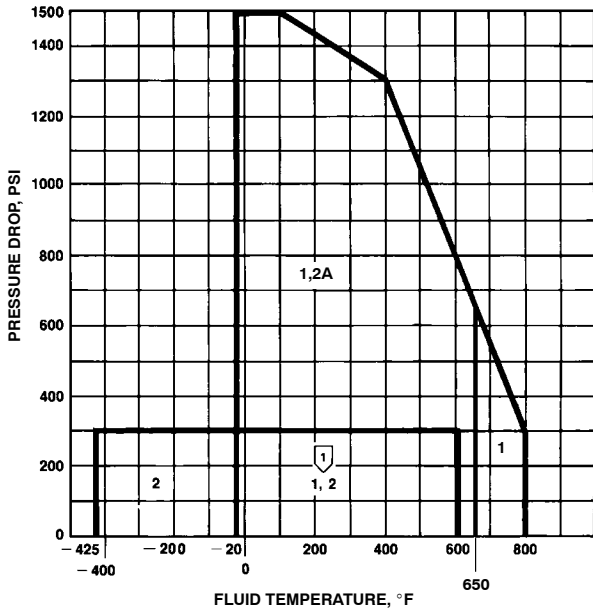
1. Special heat treating required.  
2. Derating is not required for CL300 valves. Derating may be required for valves rated at CL600. Contact your Emerson Process Management sales office for assistance in determining the derating of valves when these body-to-bonnet bolting materials are used.  
3. WCC is limited to -29°C (-20°F).

**Table 5. Valve Body-Trim Temperature Capabilities<sup>(1)</sup>**

VALVE BODY MATERIAL	TRIM NUMBER FROM TABLE 2	TEMPERATURE <sup>(2)</sup>					
		Minimum		Maximum			
		°C	°F	Standard YD		YS and High-Temperature YD	
				°C (°F)		°C (°F)	
Cast Iron <sup>(3)</sup>	1	-73	-100	232 (450)		232 (450)	
	2 <sup>(2)</sup> and 2A	-73	-100	NPS 1-1/2 to 3: 232 (450) NPS 4 to 6: 177 (350)		232 (450)	
WCC Steel and WC9 Chrome Moly Steel	1	-29	-20	NPS 1/2 to 1-1/2: 427 (800) <sup>(4)</sup> NPS 2 and 2-1/2: 371 (700) <sup>(4)</sup> NPS 3: 316 (600) <sup>(4)</sup> NPS 4 and 6: 260 (500) <sup>(4)</sup>		427 (800)	
	2 <sup>(2)</sup>	-29	-20	NPS 1/2 to 1-1/2: 316 (600) <sup>(4)</sup> NPS 2 and 2-1/2: 232 (450) NPS 3: 204 (400) NPS 4 and 6: 149 (300)		316 (600)	
	2A	-29	-20	NPS 1/2 to 1-1/2: 343 (650) <sup>(4)</sup> NPS 2 and 2-1/2: 232 (450) NPS 3: 204 (400) NPS 4 and 6: 149 (300)		343 (650)	
CF8M (316 SST)	2 <sup>(2)</sup>	-254	-425	316 (600) <sup>(4)</sup>		316 (600)	
	2A	-198 <sup>(5)</sup>	-325 <sup>(5)</sup>	343 (650) <sup>(4)</sup>		343 (650)	
NPS 8 YD (WCC)	1	-29	-20	232 (450)		427 (800) <sup>(6)</sup>	
NPS 8 YD (CF8M)	2 <sup>(2)</sup>	-198	-325	232 (450)		316 (600) <sup>(6)</sup>	
	2A	-198	-325	232 (450)		343 (650) <sup>(6)</sup>	

1. Refer to table 2 for trim materials.  
2. Trim 2 limited to 149°C (300°F) maximum for nonlubricating fluids.  
3. Cast iron is limited to -73°C (-100°F) minimum  
4. Plug cage seals limit this design to 232°C (450°F) maximum.  
5. May be used down to -254°C (-425°F) if manufacturing process includes Charpy impact test.  
6. Only available in YD constructions.

Figure 7. Maximum Allowable Pressure Drops and Temperatures for Table 2 Trims



10A8091-B  
A1892-3

Note:  
 1 > Trim 2 limited to 149°C (300°F) maximum for nonlubricating fluids

**Table 6. Maximum Allowable Fisher YD Shutoff Pressure Drops with 657 and 667 Actuators<sup>(1)</sup>**

PACKING TYPE	ACTUATOR SIZE	NOMINAL (ACTUAL) AIR TO DIAPHRAGM, PSIG <sup>(2)</sup>						
		3-15 (0-18)			6-30 (0-33)			3-40(0-43)
		$\Delta P$ , PSID/(Bench Set, PSIG)/Spring Drawing Number						
<b>1.3125 Inch Port, Class IV Seat Leakage</b>								
Standard Single or Double PTFE	30	100 (5-13) 1F1768	500 (6-12) 1F1767	925 (7-11) <sup>(3)</sup> 1J1722	500 (6-26) 1E7953	1335 (8-24) 1J2581	1500 (10-22) 1E7923	---
	34	1130 (5-13) 1E8053	1500 (6-12) 1E8056	---	1500 (6-26) 1E8051	---	---	---
ENVIRO-SEAL PTFE	30	290 (7-11) 1J1722	---	---	710 (8-24) 1J2581	1500 (10-22) 1E7923	---	---
	34	500 (5-13) 1E8053	1125 (6-12) 1E8056	---	1125 (6-26) 1E8051	1500 (8-24) 1E8055	---	---
ENVIRO-SEAL Graphite ULF	30	---	---	---	---	---	---	540 (14-28) 1F7143
	34	---	---	---	955 (10-22) 1E8058	1500 (12-20) 1E8053	---	1500 (13-29) 1E8055
<b>1.3125 Inch Port, Class II Seat Leakage (High-Temperature Trim)</b>								
Graphite Ribbon/ Filament (CL600)	30	---	---	---	320 (8-24) 1J2581	1500 (11-21) 1F1769	---	---
	34	110 (5-13) 1E8053	740 (6-12) 1E8056	1370 (7-11) 1F1771	740 (6-26) 1E8051	1500 (8-24) 1J2581	---	---
ENVIRO-SEAL Graphite ULF	30	---	---	---	30 (11-21) 1F1769	450 (12-20) 1F1768	---	1300 (14-28) 1F7143
	34	---	---	---	450 (8-24) 1E8055	1500 (10-22) 1E8058	---	---
<b>2.3125 Inch Port, Class IV Seat Leakage</b>								
Standard Single or Double PTFE	40	250 (6-12) 1F1771	---	---	250 (6-26) 1E8054	600 (7-25) 1E8058	1500 (10-22) 1E8053	---
	45	275 (4-14) 1E8270	820 (5-12) 1E8269	1350 (6-11) 1F1773	1350 (6-26) 1E8263	1500 (8-25) 1E8271	---	---
ENVIRO-SEAL PTFE	40	---	---	---	120 (7-25) 1E8058	820 (9-24) 1E8057	1170 (10-22) 1E8053	1500 (12-30) 1E8058
	45	330 (5-12) 1E8269	870 (6-11) 1F1773	---	865 (6-26) 1E8263	1500 (8-25) 1E8271	---	---
ENVIRO-SEAL Graphite ULF	45	---	---	---	430 (9-24) 1E8268	1500 (11-22) 1E8272	---	---
	46	385 (6-12) 1E8266	---	---	385 (6-26) 1E8258	1500 (8-24) 1E8264	---	---
<b>2.3125 Inch Port, Class II Seat Leakage (High-Temperature Trim)</b>								
Graphite Ribbon/ Filament (CL600)	40	---	---	---	90 (7-25) 1E8058	790 (9-24) 1E8057	1145 (10-22) 1E8053	1500 (12-30) 1E8058
	45	300 (5-12) 1E8269	840 (6-11) 1F1773	---	840 (6-26) 1E8263	1500 (8-25) 1E8271	---	---

-continued-

**Table 6. Maximum Allowable Fisher YD Shutoff Pressure Drops with 657 and 667 Actuators<sup>(1)</sup> (continued)**

PACKING TYPE	ACTUATOR SIZE	NOMINAL (ACTUAL) AIR TO DIAPHRAGM, PSIG <sup>(2)</sup>						
		3-15 (0-18)			6-30 (0-33)			3-40(0-43)
		ΔP, PSID/(Bench Set, PSIG)/Spring Drawing Number						
<b>2.3125 Inch Port, Class II Seat Leakage (High-Temperature Trim) (Continued)</b>								
ENVIRO-SEAL Graphite ULF	40	---	---	---	---	---	---	575 (12-30) 1E8058
	45	---	---	---	635 (8-25) 1E8271	1500 (11-22) 1E8272	---	---
	46	330 (5-13) 1E8272	1125 (6-12) 1E8266	---	1125 (6-12) 1E8258	1500 (8-24) 1E8264	---	---
<b>3.4375 Inch Port, Class IV Seat Leakage</b>								
Standard Single or Double PTFE	40	---	---	---	---	---	---	230 (8-32) 1E8058
	45	100 (5-12) 1F1773	650 (6-11) <sup>(3)</sup> 1E9215	---	650 (6-26) 1E8268	1500 (9-24) 1E8272	---	---
ENVIRO-SEAL PTFE	45	150 (6-11) <sup>(3)</sup> 1E9215	---	---	150 (6-26) 1E8268	1500 (9-24) 1E8272	---	---
	46	150 (4-14) 1E8272	1500 (6-12) 1E8269	---	1500 (6-26) 1E8267	---	---	---
ENVIRO-SEAL Graphite ULF	45	---	---	---	250 (10-22) 1E8266	800 (11-20) 1E8269	---	1500 (13-29) 1E8261
	46	---	---	---	460 (7-25) 1E8263	1500 (9-24) 1E8271	---	---
<b>3.4375 Inch Port, Class II Seat Leakage (High-Temperature Trim)</b>								
Graphite Ribbon/ Filament (CL600)	40	---	---	---	---	---	---	85 (8-32) 1E8058
	45	500 (6-11) <sup>(3)</sup> 1E9215	---	---	500 (6-26) 1E8268	1500 (9-24) 1E8272	---	---
ENVIRO-SEAL Graphite ULF	45	---	---	---	815 (9-24) 1E8272	1500 (11-20) 1E8269	---	---
	46	770 (6-12) 1E8269	---	---	770 (6-26) 1E8267	1500 (7-25) 1E8263	---	---
<b>4.375 Inch Port, Class IV Seat Leakage</b>								
Standard Single or Double PTFE	45	50 (6-12) <sup>(3)</sup> 1E9215	---	---	50 (6-26) 1E8272	570 (7-25) 1E8270	1100 (8-24) 1E8266	1500 (9-33) 1E8265
	46	800 (5-13) 1E8269	---	---	1500 (6-26) 1E8271	---	---	---
ENVIRO-SEAL PTFE	45	---	---	---	80 (7-25) 1E8270	620 (8-24) 1E8266	---	1150 (9-33) 1E8265
	46	325 (5-13) 1E8269	---	---	1125 (6-26) 1E8271	1500 (7-23) 1E8265	---	---
ENVIRO-SEAL Graphite ULF	45	---	---	---	---	---	---	200 (11-31) 1E8272
	46	---	---	---	260 (7.5-21) 1E8272	---	---	---

-continued-

**Table 6. Maximum Allowable Fisher YD Shutoff Pressure Drops with 657 and 667 Actuators<sup>(1)</sup> (continued)**

PACKING TYPE	ACTUATOR SIZE	NOMINAL (ACTUAL) AIR TO DIAPHRAGM, PSIG <sup>(2)</sup>						
		3-15 (0-18)			6-30 (0-33)			3-40(0-43)
		ΔP, PSID/(Bench Set, PSIG)/Spring Drawing Number						
<b>4.375 Inch Port, Class II Seat Leakage (High-Temperature Trim)</b>								
Graphite Ribbon/ Filament (CL600)	45	200 (6-12) <sup>(3)</sup> 1E9215	---	---	200 (6-26) 1E8272	720 (7-25) 1E8270	1250 (8-24) 1E8266	1500 (9-33) 1E8265
	46	950 (5-13) 1E8269	---	---	1500 (6-26) 1E8271	---	---	---
ENVIRO-SEAL Graphite ULF	45	---	---	---	250 (8.5-24.5) 1E8266	---	---	520 (9-33) 1E8265
	46	70 (5.5-11.5) 1F1773	---	---	470 (6-26) 1E8271	1260 (7-23) 1E8265	1500 (7.5-21) 1E8272	---
<b>NPS 6, 7 Inch Port, Class IV Seat Leakage<sup>(4)</sup></b>								
Standard Single or Double PTFE	50	---	---	---	---	---	---	370 (11-31) 1E8272
	60	---	---	---	405 (7.5-21) 1E8272	---	---	---
	70	250 (5-13) 1N1286	---	---	750 (6-26) 1N7193	1500 (8-23) 1N1287	---	---
ENVIRO-SEAL PTFE	50	---	---	---	---	---	---	60 (11-31) 1E8272
	60	---	---	---	95 (7.5-21) 1E8272	---	---	---
	70	---	---	---	430 (6-26) 1N7193	1450 (8-23) 1N1287	1500 (10-22) 1N1284	---
ENVIRO-SEAL Graphite ULF	76 (667 only)	---	---	---	---	---	---	200 (13-29) 1N1284
	70	---	---	---	590 (10-22) 1N1284	---	---	1500 (13-28) 1N1287
<b>NPS 6, 7 Inch Port, Class II Seat Leakage (High-Temperature Trim)</b>								
Graphite Ribbon/ Filament (CL600)	50	---	---	---	---	---	---	125 (11-31) 1E8272
	60	---	---	---	160 (7.5-21) 1E8272	---	---	---
	70	---	---	---	500 (6-26) 1N7193	1500 (8-23) 1N1287	---	---
ENVIRO-SEAL Graphite ULF	76 (667 only)	---	---	---	490 (11-22) <sup>(3)</sup> 1N1286	---	---	1200 (13-29) 1N1284
	70	---	---	---	590 (8-23) 1N1287	1500 (10-22) 1N1284	---	---

1. Spring and bench sets selected for use with either 657 or 667. Other acceptable configurations possible from Fisher Specification Manager for a specific actuator type.  
2. The bench set values shown assume an actual supply pressure to the actuator of 0 to 18 psig for a nominal 3 to 15 psig signal, an actual 0 to 33 psig supply for a nominal 6 to 30 psig signal, and an actual 0 to 43 psig supply for a nominal 3 to 40 psig signal. Any positioner or controller used with these actuators must be capable of delivering the appropriate slightly extended range.  
3. Requires non-standard spring adjustor.  
4. Special Class IV seat load (40 lb/lineal inch) used for YD with 7-inch diameter port.

**Table 7. Maximum Allowable Fisher YS (Converging Service) Shutoff Pressure Drops with 657 and 667 Actuators<sup>(1)</sup>**

PACKING TYPE	ACTUATOR SIZE	NOMINAL (ACTUAL) AIR TO DIAPHRAGM, PSIG <sup>(2)</sup>						
		3-15 (0-18)			6-30 (0-33)			3-40(0-43)
		$\Delta P$ , PSID/(Bench Set, PSIG)/Spring Drawing Number						
<b>1.3125 Inch Port, Class IV Seat Leakage</b>								
Standard Single or Double PTFE	30	40 (6-12) 1F1767	75 (7-11) <sup>(3)</sup> 1J1722	---	110 (8-24) 1J2581	180 (10-22) 1E7923	245 (12-20) 1F1768	315 (14-28) 1F7143
	34	95 (5-13) 1E8053	145 (6-12) 1E8056	195 (7-11) 1F1771	245 (8-24) 1E8055	350 (10-22) 1E8058	450 (12-20) 1E8053	550 (14-28) 1E8054
ENVIRO-SEAL PTFE	30	25 (7-11) <sup>(3)</sup> 1J1722	---	---	60 (8-24) 1J2581	125 (10-22) 1E7923	195 (12-20) 1F1768	265 (14-28) 1F7143
	34	40 (5-13) 1E8053	95 (6-12) 1E8056	145 (7-11) 1F1771	195 (8-24) 1E8055	300 (10-22) 1E8058	400 (12-20) 1E8053	500 (14-28) 1E8054
ENVIRO-SEAL Graphite ULF	30	---	---	---	---	---	---	45 (14-28) 1F7143
	34	---	---	---	80 (10-22) 1E8058	180 (12-20) 1E8053	---	285 (14-28) 1E8054
Graphite Ribbon/ Filament (CL300)	30	---	---	---	10 (8-24) 1J2581	80 (10-22) 1E7923	150 (12-20) 1F1768	215 (14-28) 1F7143
	34	45 (6-12) 1E8056	95 (7-11) 1F1771	---	145 (8-24) 1E8055	250 (10-22) 1E8058	350 (12-20) 1E8053	450 (14-28) 1E8054
<b>2.3125 Inch Port, Class IV Seat Leakage</b>								
Standard Single or Double PTFE	40	12 (6-12) 1F1771	---	---	28 (7-25) 1E8058	61 (9-24) 1E8057	78 (10-22) 1E8053	110 (12-30) 1E8058
	45	38 (5-12) 1E8269	63 (6-11) 1F1773	---	113 (8-25) 1E8271	188 (11-22) 1E8272	213 (12-21) 1E8266	263 (14-28) 1E8265
ENVIRO-SEAL PTFE	40	---	---	---	38 (9-24) 1E8057	55 (10-22) 1E8053	---	88 (12-30) 1E8058
	45	15 (5-12) 1E8269	40 (6-11) 1F1773	---	90 (8-25) 1E8271	165 (11-22) 1E8272	190 (12-21) 1E8266	240 (14-28) 1E8265
ENVIRO-SEAL Graphite ULF	45	---	---	---	70 (11-22) 1E8272	95 (12-21) 1E8266	---	145 (14-28) 1E8265
	46	18 (6-12) 1E8266	---	---	55 (7-25) 1E8257	130 (9-24) 1E8267	240 (12-21) 1E8265	(667 Only) 315 (14-28) 1E8263
Graphite Ribbon/ Filament (CL300)	40	---	---	---	24 (9-24) 1E8057	40 (10-22) 1E8053	---	73 (12-30) 1E8058
	45	26 (6-11) 1F1773	---	---	76 (8-25) 1E8271	151 (11-22) 1E8272	176 (12-21) 1E8266	226 (14-28) 1E8265

-continued-

**Table 7. Maximum Allowable Fisher YS (Converging Service) Shutoff Pressure Drops with 657 and 667 Actuators<sup>(1)</sup> (continued)**

PACKING TYPE	ACTUATOR SIZE	NOMINAL (ACTUAL) AIR TO DIAPHRAGM, PSIG <sup>(2)</sup>						
		3-15 (0-18)			6-30 (0-33)			3-40(0-43)
		ΔP, PSID/(Bench Set, PSIG)/Spring Drawing Number						
<b>3.4375 Inch Port, Class IV Seat Leakage</b>								
Standard Single or Double PTFE	40	---	---	---	---	---	---	5 (8-32) 1E8058
	45	13 (6-11) <sup>(3)</sup> 1E9215	---	---	25 (7-25) 1E8265	47 (9-24) 1E8272	70 (11-20) 1E8269	104 (14-29) 1E8272
	46	30 (5-13) 1E8266	46 (6-12) 1E8269	---	80 (8-24) 1E8262	114 (10-22) 1E8265	130 (11-21) 1E8261	(667 Only) 147 (12-27) 1E8271
ENVIRO-SEAL PTFE	45	5 (6-11) <sup>(3)</sup> 1E9215	---	---	15 (7-25) 1E8265	37 (9-24) 1E8272	60 (11-20) 1E8269	94 (14-29) 1E8272
	46	19 (5-13) 1E8266	36 (6-12) 1E8269	---	70 (8-24) 1E8262	103 (10-22) 1E8265	120 (11-22) 1E8261	(667 Only) 137 (12-27) 1E8271
ENVIRO-SEAL Graphite ULF	45	---	---	---	17 (11-20) 1E8269	---	---	50 (14-29) 1E8272
	46	---	---	---	27 (8-24) 1E8262	60 (10-22) 1E8265	77 (11-21) 1E8261	(667 Only) 94 (12-27) 1E8271
Graphite Ribbon/ Filament (CL300)	45	---	---	---	8 (7-25) 1E8265	31 (9-24) 1E8272	53 (11-20) 1E8269	87 (14-29) 1E8272
	46	13 (5-13) 1E8266	30 (6-12) 1E8269	---	63 (8-24) 1E8262	97 (10-22) 1E8265	114 (11-21) 1E8261	(667 Only) 130 (12-27) 1E8271
<b>4.375 Inch Port, Class IV Seat Leakage</b>								
Standard Single or Double PTFE	45	---	---	---	15 (8-24) 1E8266	---	---	35 (11-31) 1E8272
	46	16 (5.5-11.5) 1F1773	---	---	21 (6-26) 1E8271	36 (7.5-21) 1E8272	---	---
	76 <sup>(4)</sup> (667 Only)	---	---	---	39 (8-24) 1N1284	70 (11-22) <sup>(3)</sup> 1N1286	---	112 (15-26) <sup>(3)</sup> 1N1286
	70 <sup>(4)</sup>	29 (5-13) 1N1286	---	---	44 (6-26) 1N7193	88 (9-24) 1N1287	102 (10-22) 1N1284	161 (14-29) 1N1287
ENVIRO-SEAL PTFE	45	---	---	---	8 (8-24) 1E8266	---	---	29 (11-31) 1E8272
	46	9 (5.5-11.5) 1F1773	---	---	14 (6-26) 1E8271	30 (7.5-21) 1E8272	---	---
	76 <sup>(4)</sup> (667 Only)	---	---	---	30 (8-24) 1N1284	61 (11-22) <sup>(3)</sup> 1N1286	---	102 (15-26) <sup>(3)</sup> 1N1286
	70 <sup>(4)</sup>	20 (5-13) 1N1286	---	---	35 (6-26) 1N7193	79 (9-24) 1N1287	93 (10-22) 1N1284	152 (14-29) 1N1287
ENVIRO-SEAL Graphite ULF	76 <sup>(4)</sup> (667 Only)	---	---	---	---	---	85 (15-26) <sup>(3)</sup> 1N1286	

-continued-



**Table 7. Maximum Allowable Fisher YS (Converging Service) Shutoff Pressure Drops with 657 and 667 Actuators<sup>(1)</sup> (continued)**

PACKING TYPE	ACTUATOR SIZE	NOMINAL (ACTUAL) AIR TO DIAPHRAGM, PSIG <sup>(2)</sup>						
		3-15 (0-18)			6-30 (0-33)			3-40(0-43)
		$\Delta P$ , PSID/(Bench Set, PSIG)/Spring Drawing Number						
<b>4.375 Inch Port, Class IV Seat Leakage (Continued)</b>								
ENVIRO-SEAL Graphite ULF	70 <sup>(4)</sup>	---	---	---	25 (9-24) 1N1287	39 (10-22) 1N1284	99 (14-29) 1N1287	
Graphite Ribbon/ Filament (CL300)	45	---	---	---	4 (8-24) 1E8266	---	25 (11-31) 1E8272	
	46	5 (5.5-11.5) 1F1773	---	---	10 (6-26) 1E8271	26 (7.5-21) 1E8272	---	
	76 <sup>(4)</sup> (667 Only)	---	---	---	17 (8-24) 1N1284	48 (11-22) <sup>(3)</sup> 1N1286	90 (15-26) <sup>(3)</sup> 1N1286	
	70 <sup>(4)</sup>	7 (5-13) 1N1286	---	---	22 (6-26) 1N7193	66 (9-24) 1N1287	81 (10-22) 1N1284	139 (14-29) 1N1287
<b>NPS 6, 7-Inch Port, Class IV Seat Leakage<sup>(5)</sup></b>								
Standard Single or Double PTFE	60	---	---	---	5 (7.5-21) 1E8272	---	---	
	76 (667 Only)	---	---	---	7 (8-24) 1N1284	19 (11-22) <sup>(3)</sup> 1N1286	35 (15-26) <sup>(3)</sup> 1N1286	
	70	3 (5-13) 1N1286	---	---	8 (6-26) 1N7193	26 (9-24) 1N1287	31 (10-22) 1N1284	54 (14-29) 1N1287
	80 <sup>(4)</sup>	10 (5-13) 1H7477	---	---	25 (7-26) 1H7476	39 (8-24) 1H7473	47 (9-22) 1H7475	77 (13-29) 1H7473
ENVIRO-SEAL PTFE	76 (667 Only)	---	---	---	15 (11-22) <sup>(3)</sup> 1N1286	---	---	31 (15-26) <sup>(3)</sup> 1N1286
	70	---	---	---	5 (6-26) 1N7193	22 (9-24) 1N1287	28 (10-22) 1N1284	51 (14-29) 1N1287
	80 <sup>(4)</sup>	5 (5-13) 1H7477	---	---	20 (7-26) 1H7476	34 (8-24) 1H7473	42 (9-22) 1H7475	103 (13-29) 1H7473
ENVIRO-SEAL Graphite ULF	76 (667 Only)	---	---	---	---	---	---	10 (15-26) <sup>(3)</sup> 1N1286
	70	---	---	---	7 (10-22) 1N1284	---	---	30 (14-29) 1N1287
	80 <sup>(4)</sup>	---	---	---	7 (9-22) 1H7475	---	---	36 (13-29) 1H7473
Graphite Ribbon/ Filament (CL300)	76 (667 Only)	---	---	---	10 (11-22) <sup>(3)</sup> 1N1286	---	---	27 (15-26) <sup>(3)</sup> 1N1286
	70	---	---	---	17 (9-24) 1N1287	23 (10-22) 1N1284	---	46 (14-29) 1N1287
	80 <sup>(4)</sup>	---	---	---	13 (7-26) 1H7476	27 (8-24) 1H7473	35 (9-22) 1H7475	65 (13-29) 1H7473

1. Spring and bench sets selected for use with either 657 or 667. Other acceptable configurations possible from Fisher Specification Manager for a specific actuator type.  
2. The bench set values shown assume an actual supply pressure to the actuator of 0 to 18 psig for a nominal 3 to 15 psig signal, an actual 0 to 33 psig supply for a nominal 6 to 30 psig signal, and an actual 0 to 43 psig supply for a nominal 3 to 40 psig signal. Any positioner or controller used with these actuators must be capable of delivering the appropriate slightly extended range.  
3. Requires non-standard spring adjustor.  
4. Oversize yoke boss required.  
5. Special Class 4 seat load (40 lb/lineal inch) used for YS, 7-inch port.

**Table 8. Maximum Allowable Fisher YS (Diverging Service) Shutoff Pressure Drops with 657 and 667 Actuators (ON-OFF) application only—No throttling service<sup>(1)</sup>**

PACKING TYPE	ACTUATOR SIZE	NOMINAL (ACTUAL) AIR TO DIAPHRAGM, PSIG <sup>(2)</sup>		
		3-15 (0-18)	6-30 (0-33)	3-40 (0-43)
		$\Delta P^{(6)}$ , PSID/(Bench Set, PSIG) <sup>(7)</sup> /Spring Drawing Number		
<b>1.3125 Inch Port, Class IV Seat Leakage</b>				
Standard Single or Double PTFE	30	195 (5-13) 1F1768	450 (4.5-28.5) 1E7924	---
	34	315 (3-15) 1E8058	600 (4.5-28.5) 1E8052	---
ENVIRO-SEAL PTFE	30	145 (7-11) <sup>(3)</sup> 1J1722	385 (8-24) 1J2581	---
	34	265 (5-13) 1E8053	600 (6-26) 1E8051	---
ENVIRO-SEAL Graphite ULF	34	---	400 (10-22) 1E8058	---
Graphite Ribbon/ Filament (CL300)	30	---	330 (8-24) 1J2581	---
	34	210 (6-12) 1E8056	570 (6-26) 1E8051	---
<b>2.3125 Inch Port, Class IV Seat Leakage</b>				
Standard Single or Double PTFE	40	50 (6-12) 1F1771	210 (6-26) 1E8054	---
	45	155 (4-14) 1E8270	330 (4-28) 1E8264	---
ENVIRO-SEAL PTFE	40	---	190 (7-25) 1E8058	---
	45	120 (5-12) 1E8269	310 (6-26) 1E8263	---
ENVIRO-SEAL Graphite ULF	45	---	225 (9-24) 1E8268	---
	46	120 (6-12) 1E8266	380 (7-25) 1E8257	---
Graphite Ribbon/ Filament (CL300)	40	---	280 (9-24) 1E8057	---
	45	105 (6-11) 1F1773	295 (6-26) 1E8263	---

-continued-

**Table 8. Maximum Allowable Fisher YS (Diverging Service) Shutoff Pressure Drops with 657 and 667 Actuators (ON-OFF) application only—No throttling service<sup>(1)</sup> (continued)**

PACKING TYPE	ACTUATOR SIZE	NOMINAL (ACTUAL) AIR TO DIAPHRAGM, PSIG <sup>(2)</sup>		
		3-15 (0-18)	6-30 (0-33)	3-40 (0-43)
		$\Delta P^{(6)}$ , PSID/(Bench Set, PSIG) <sup>(7)</sup> /Spring Drawing Number		
<b>3.4375 Inch Port, Class IV Seat Leakage</b>				
Standard Single or Double PTFE	40	---	---	125 (8-32) 1E8058
	45	65 (5-12) 1F1773	150 (6-26) 1E8268	---
	46	110 (4-14) 1E8272	225 (6-26) 1E8267	---
ENVIRO-SEAL PTFE	45	55 (6-11) <sup>(3)</sup> 1E9215	140 (6-26) 1E8268	---
	46	100 (4-14) 1E8272	215 (4-28) 1E8257	---
ENVIRO-SEAL Graphite ULF	45	---	95 (10-22) 1E8266	---
	46	---	170 (7-25) 1E8263	---
Graphite Ribbon/ Filament (CL300)	45	---	130 (7-25) 1E8265	---
	46	90 (5-13) 1E8266	210 (6-26) 1E8267	---
<b>4.375 Inch Port, Class IV Seat Leakage</b>				
Standard Single or Double PTFE	45	40 (6-12) <sup>(3)</sup> 1E9215	90 (6-26) 1E8272	---
	46	65 (5-13) 1E8269	140 (6-26) 1E8271	---
ENVIRO-SEAL PTFE	45	---	85 (7-25) 1E8270	---
	46	60 (5-13) 1E8269	135 (6-26) 1E8271	---
ENVIRO-SEAL Graphite ULF	45	---	---	55 (11-31) 1E8272
	46	---	50 (7.5-21) 1E8272	---
	70 <sup>(4)</sup>	---	135 (9-24) 1N1287	---
Graphite Ribbon/ Filament (CL300)	45	---	80 (8-24) 1E8266	---
	46	55 (5-13) 1E8269	130 (6-26) 1E8271	---

-continued-

**Table 8. Maximum Allowable Fisher YS (Diverging Service) Shutoff Pressure Drops with 657 and 667 Actuators (ON-OFF) application only—No throttling service<sup>(1)</sup> (continued)**

PACKING TYPE	ACTUATOR SIZE	NOMINAL (ACTUAL) AIR TO DIAPHRAGM, PSIG <sup>(2)</sup>		
		3-15 (0-18)	6-30 (0-33)	3-40 (0-43)
		$\Delta P^{(6)}$ , PSID/(Bench Set, PSIG) <sup>(7)</sup> /Spring Drawing Number		
<b>NPS 6, 7-Inch Port, Class IV Seat Leakage<sup>(5)</sup></b>				
Standard Single or Double PTFE	50	---	---	50 (11-31) 1E8272
	60	---	45 (7.5-21) 1E8272	---
	70	35 (5-13) 1N1286	75 (6-26) 1N7193	---
ENVIRO-SEAL PTFE	50	---	---	45 (11-31) 1E8272
	60	---	40 (7.5-21) 1E8272	---
	70	30 (5-13) 1N1286	70 (6-26) 1N7193	---
ENVIRO-SEAL Graphite ULF	76 (667 Only)	---	---	50 (13-29) 1N1284
	70	---	50 (10-22) 1N1284	---
Graphite Ribbon/ Filament (CL300)	76 (667 Only)	---	45 (11-22) <sup>(3)</sup> 1N1286	---
	70	---	70 (6-26) 1N7193	---

1. Spring and bench sets selected for use with either 657 or 667. Other acceptable configurations possible from Fisher Specification Manager for a specific actuator type  
 2. The bench set values shown assume an actual supply pressure to the actuator of 0 to 18 psig for a nominal 3 to 15 psig signal, an actual 0 to 33 psig supply for a nominal 6 to 30 psig signal, and an actual 0 to 43 psig supply for a nominal 3 to 40 psig signal. Any positioner or controller used with these actuators must be capable of delivering the appropriate slightly extended range.  
 3. Requires non-standard spring adjustor.  
 4. Oversize yoke boss required.  
 5. Special Class 4 seat load (40 lb/lineal inch) used for YS, 7-inch port.  
 6. Assumes same shutoff pressure drop for top and bottom ports.  
 7. Bench sets selected will provide sufficient seat loading, even with no pressure drop. The selected bench sets will enable the actuator to fully stroke the valve up or down with the maximum shutoff drop listed.

**Table 9. Fisher YD and YS Dimensions**

VALVE MATERIAL AND SIZE, NPS	DIMENSION																	
	A							D										
	Valve Rating and End Connection Style <sup>(1)</sup>							Standard Bonnet				Extension Bonnet						
	CAST IRON <sup>(2)</sup>	Screwed	CL125 FF	---	CL250 RF	---	---	---	Stem Diameter, mm (Inches)				Stem Diameter, mm (Inches)				Stem Diameter, mm (Inches)	
9.5 (3/8)									12.7 (1/2)	19.1 (3/4)	25.4 (1)	9.5 (3/8)	12.7 (1/2)	19.1 (3/4)	25.4 (1)	9.5 (3/8)	12.7 (1/2)	19.1 (3/4)
STEEL & SST	Screwed & SWE	CL150 RF	CL150 RTJ	CL300 RF	CL300 RTJ	CL600 RF & BWE	CL600 RTJ	9.5 (3/8)	12.7 (1/2)	19.1 (3/4)	25.4 (1)	9.5 (3/8)	12.7 (1/2)	19.1 (3/4)	25.4 (1)	9.5 (3/8)	12.7 (1/2)	19.1 (3/4)
<b>mm</b>																		
1/2, 3/4 <sup>(2)</sup>	209.6	---	---	---	---	---	---	127.0	149.4	---	---	212.9	251.0	---	---	303.3	319.0	---
1 <sup>(2)</sup>	209.6	184.2	196.9	196.9	209.6	209.6	209.6	127.0	149.4	---	---	212.9	251.0	---	---	303.3	319.0	---
1-1/2	251.0	222.3	235.0	235.0	247.7	251.0	251.0	127.0	149.4	---	---	212.9	251.0	---	---	303.3	319.0	---
2	285.8	254.0	266.7	266.7	282.4	285.8	289.1	---	171.5	168.1	---	---	273.1	277.9	---	---	471.1	468.4
2-1/2	---	276.4	289.1	292.1	307.8	311.2	314.5	---	171.5	168.1	---	---	273.1	277.9	---	---	471.1	468.4
3	---	298.5	311.1	317.5	333.2	336.6	339.9	---	195.3	192.0	---	---	296.9	301.8	---	---	500.1	505.0
4	---	352.6	365.3	368.3	384.0	393.7	396.7	---	228.6	225.6	---	---	330.2	335.0	---	---	533.4	525.5
6	---	450.9	463.6	472.9	489.0	508.0	511.0	---	---	242.8	287.3	---	---	349.3	419.1	---	---	534.9
8 <sup>(3)</sup>	---	543.1	555.8	568.5	584.2	609.6	612.9	---	---	323.9	---	---	---	---	---	---	---	---
<b>Inches</b>																		
1/2, 3/4 <sup>(2)</sup>	8.25	---	---	---	---	---	---	5.00	5.88	---	---	8.38	9.88	---	---	11.94	12.56	---
1 <sup>(2)</sup>	8.25	7.25	7.75	7.75	8.25	8.25	8.25	5.00	5.88	---	---	8.38	9.88	---	---	11.94	12.56	---
1-1/2	9.88	8.75	9.25	9.25	9.75	9.88	9.88	5.00	5.88	---	---	8.38	9.88	---	---	11.94	12.56	---
2	11.25	10.00	10.50	10.50	11.12	11.25	11.38	---	6.75	6.62	---	---	10.75	10.94	---	---	18.56	18.44
2-1/2	---	10.88	11.38	11.50	12.12	12.25	12.38	---	6.75	6.62	---	---	10.75	10.94	---	---	18.56	18.44
3	---	11.75	12.25	12.50	13.12	13.25	13.38	---	7.69	7.56	---	---	11.69	11.88	---	---	19.69	19.88
4	---	13.88	14.38	14.50	15.12	15.50	15.62	---	9.00	8.88	---	---	13.00	13.19	---	---	21.00	20.69
6	---	17.75	18.25	18.62	19.25	20.00	20.12	---	---	9.56	11.31	---	---	13.75	16.50	---	---	21.06
8 <sup>(3)</sup>	---	21.38	21.88	22.38	23.00	24.00	24.13	---	---	12.75	---	---	---	---	---	---	---	---

1. Abbreviations are: BWE, butt weld ends; FF, flat-face flanges; RF, raised-face flanges; RTJ, ring-type joint flanges; SWE, socket weld ends.  
2. NPS 1/2, 3/4, and 1 are not available in cast iron material.  
3. The NPS 8 high temperature valve is not available in a BWE construction.

**Table 10. Additional Dimensions for Fisher YD and YS High Temperature Valves**

VALVE MATERIAL AND SIZE, NPS	DIMENSION						
	C						
	Valve Rating and End Connection Style <sup>(1)</sup>						
STEEL & SST	Screwed & SWE	CL150 RF	CL150 RTJ	CL300 RF	CL300 RTJ	CL600 RF & BWE	CL600 RTJ
<b>mm</b>							
8 <sup>(3)</sup>	---	384.6	390.9	397.0	404.9	457.2	458.7
<b>Inches</b>							
8 <sup>(3)</sup>	---	15.14	15.39	15.63	15.94	18.00	18.06

Figure 8. Fisher YD and YS Dimensions (also see table 9)

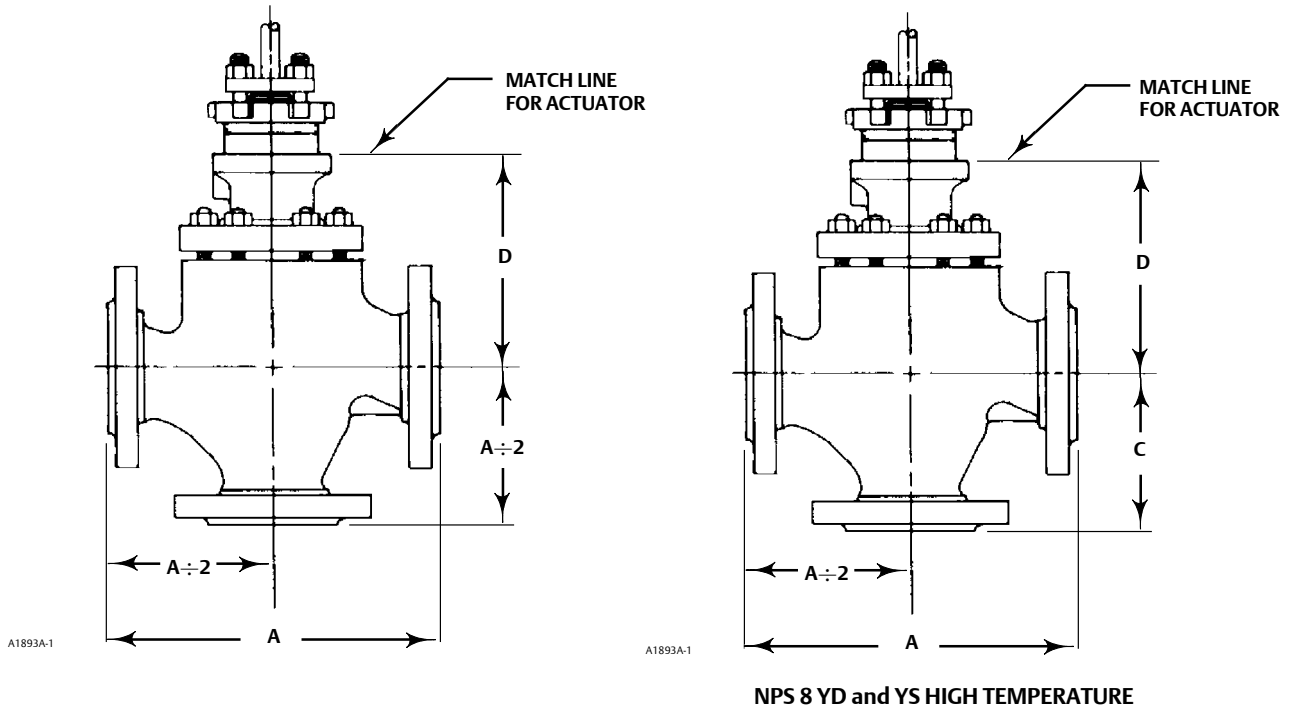


Table 11. Bonnet Selection Guidelines

BONNET STYLE	PACKING MATERIAL	IN-BODY PROCESS TEMPERATURE LIMITS <sup>(1)</sup>	
		°C	°F
Plain (standard)	PTFE V-ring	-18 to 232	0 to 450
	PTFE/composition	-18 to 232	0 to 450
	Graphite ribbon/filament	-18 to max shown in table 5	0 to max shown in table 5
Style 1 cast extension	PTFE V-ring	-46 to 427	-50 to 800
	PTFE/composition		
	Graphite ribbon/filament	-46 to max shown in table 5	-50 to max shown in table 5
Style 2 cast extension	PTFE V-ring	-101 to 427	-150 to 800
	PTFE/composition		
	Graphite ribbon/filament	-101 to max shown in table 5	-150 to max shown in table 5
ENVIRO-SEAL bellows seal bonnet	PTFE	For exceptional stem sealing capabilities. See bulletin 59.1:070, ENVIRO-SEAL Bellows Seal Bonnets, for pressure/temperature ratings.	
	Graphite	For exceptional stem sealing capabilities. See bulletin 59.1:070, ENVIRO-SEAL Bellows Seal Bonnets, for pressure/temperature ratings.	

1. These in-body process temperatures assume an outside, ambient temperature of 21°C (70°F) and no insulation on the bonnet. When using any packing at low process temperatures, a cast extension bonnet may have to be used to prevent the packing damage which could result from the formation of valve stem frost. Material selection for trim and other components will also be limiting factors.

---

# Ordering Information

## Application Information

When ordering, specify:

1. Type of application
  - a. Converging or diverging flow
  - b. Throttling or on-off (flow switching)
  - c. Reducing or relief
2. Controlled fluid (include chemical analysis of fluid if possible)
3. Specific gravity of controlled fluid
4. Fluid temperature
5. Range of flowing inlet pressures
6. Pressure drops
  - a. Range of flowing pressure drops

- b. Maximum at shutoff

7. Flow rates

- a. Minimum controlled flow
  - b. Normal flow
  - c. Maximum flow

8. Shutoff classification required (see the Specifications)

9. Line size and schedule

## Valve Information

Refer to the Specifications. Review the description to the right of each specification and in the referenced figures and tables. Indicate the desired choice wherever there is a selection to be made. Always indicate the valve design being ordered.

## Actuator and Accessory Information

Refer to separate bulletins covering actuators and accessories for ordering information.

---

**Neither Emerson, Emerson Process Management, nor any of their affiliated entities assumes responsibility for the selection, use or maintenance of any product. Responsibility for proper selection, use, and maintenance of any product remains solely with the purchaser and end user.**

Fisher, easy-e, and ENVIRO-SEAL are marks owned by one of the companies in the Emerson Process Management business unit of Emerson Electric Co. Emerson Process Management, Emerson, and the Emerson logo are trademarks and service marks of Emerson Electric Co. All other marks are the property of their respective owners.

The contents of this publication are presented for informational purposes only, and while every effort has been made to ensure their accuracy, they are not to be construed as warranties or guarantees, express or implied, regarding the products or services described herein or their use or applicability. All sales are governed by our terms and conditions, which are available upon request. We reserve the right to modify or improve the designs or specifications of such products at any time without notice.

По вопросам продаж и поддержки обращайтесь:

Волгоград (844)278-03-48, Воронеж (473)204-51-73, Екатеринбург (343)384-55-89, Казань(843)206-01-48, Краснодар(861)203-40-90, Красноярск(391)204-63-61, Москва(495)268-04-70, Нижний Новгород(831)429-08-12, Самара(846)206-03-16, Санкт-Петербург(812)309-46-40, Саратов(845)249-38-78,

Единый адрес: fhv@nt-rt.ru