

Baumann™ 24003 3-Way Bronze or Stainless Steel Control Valve

The Baumann 24003 3-way control valve is ideally suited for control of flow and temperature where mixing or diverting service is required. This 3-way valve uses a rugged cast bronze or CF8M stainless steel body with S31600 austenitic stainless steel trim for extended service life.

Features

- Compact and light weight design reduces installed piping costs.
- Optional ENVIRO-SEAL™ packing system to meet critical emission control requirements; suitable for use in light duty chemical service (not for use in corrosive service). This option is available in the stainless steel version only.
- High quality S31600 austenitic stainless steel trim materials.
- Dual plug and stem guiding provides increased stability during plug travel.
- Multiple trim capacity reductions available to meet changing process requirements.
- Epoxy powder-coated actuator with stainless steel fasteners for corrosion resistance.
- Multi-spring, field-reversible actuator with reduced deadband, permits direct operation from remote signal devices.
- Actuator and yoke can be removed from the valve assembly while maintaining packing integrity.
- Fisher® FIELDVUE™ digital valve controllers available for remote calibration and diagnostics in facilities utilizing the PlantWeb™ architecture.



W9764

Stainless Steel 3-Way Valve with Baumann 32 Actuator



W9765

Bronze 3-Way Valve with Baumann 54 Actuator and FIELDVUE DVC2000 Digital Valve Controller

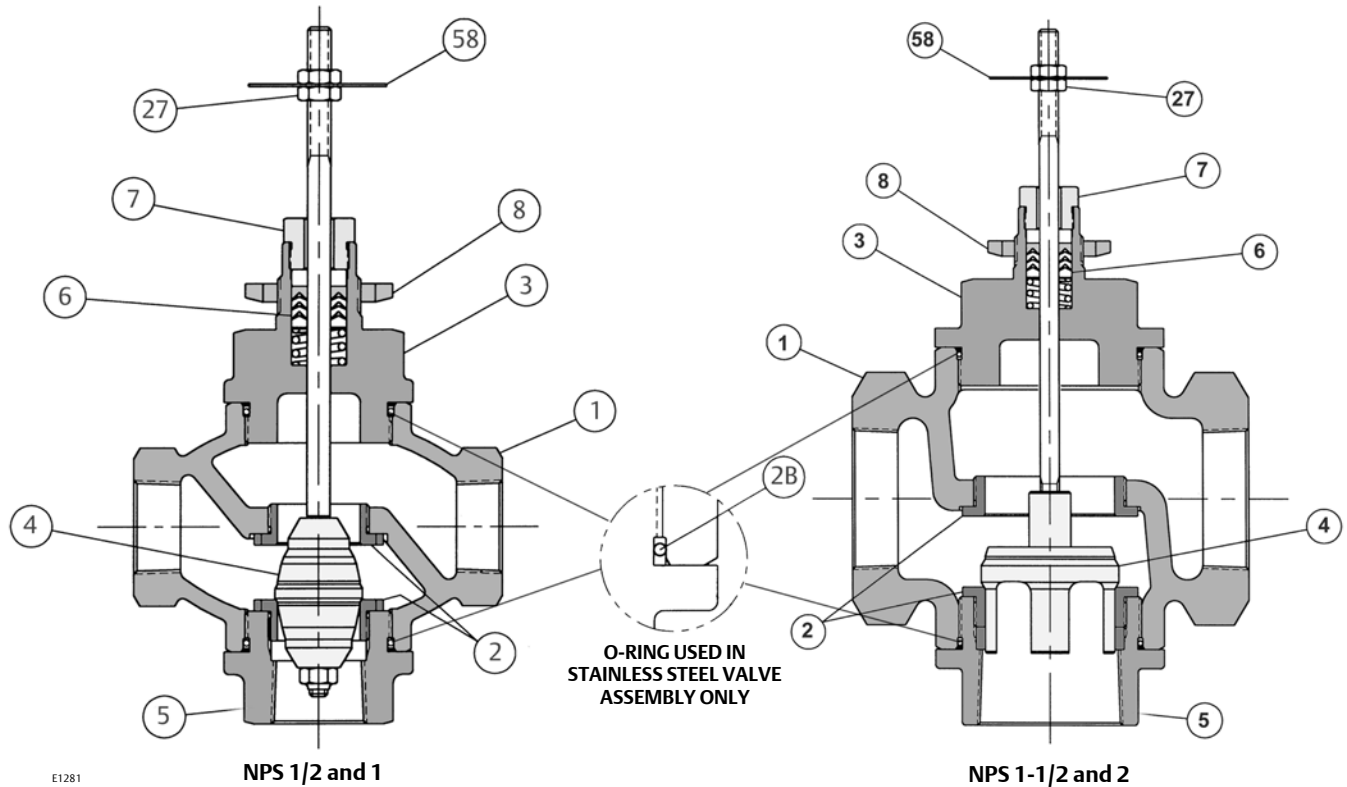


Table 1. Flow Direction⁽¹⁾

Service	Inlet	Outlet
Diverting	C	U and L
Mixing	U and L	C

1. C = Common port, U = Upper port, L = Lower port

Figure 1. Baumann 24000F Valve Body with Standard Bonnet and NPS 1 Integral Seat



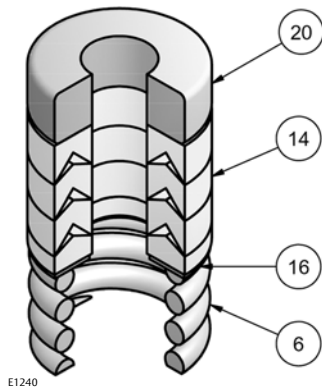
E1281

Table 2. Materials of Construction

KEY NO.	DESCRIPTION	MATERIAL	
		Bronze	Stainless Steel
1	Valve Body	Bronze ASTM B62	ASTM A351 CF8M
2	Seat Rings	ASTM A276 S31600 Condition A	ASTM A276 S31600 Condition A
2B	O-Ring	N/A	TFE/P (tetrafluoroethylene/propylene)
3	Bonnet	Bronze ASTM B62	ASTM A351 CF8M
4	Plug & Stem Assembly	ASTM A276 S31600 Condition A	ASTM A276 S31600 Condition A
5	Bottom Port	Bronze ASTM B62	ASTM A351 CF8M
6	Packing	Standard	PTFE (Polytetrafluoroethylene) / PTFE, 25% carbon filled
		Optional	Molded Graphite Ribbon (Flexible Graphite)
			ENVIRO-SEAL (Stainless Steel ONLY)
7	Packing Follower	ASTM A276 S31600 Condition A Stainless Steel	
8	Drive Nut (Yoke)	ASTM A194 S30400 Gr. 8	
27	Locknuts	Stainless Steel (18-8 SST)	
58	Travel Indicator	ASTM A240 S30400	

24003 Valve

Figure 2. Standard Spring-Loaded PTFE V-Ring Packing Kit

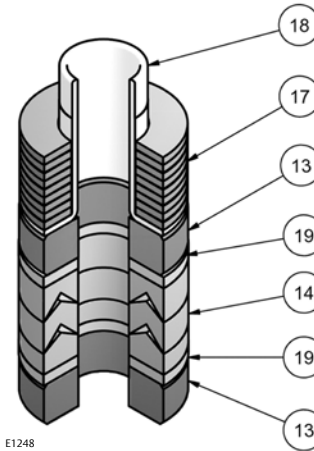


E1240

Table 3. Standard Spring-Loaded PTFE V-Ring Packing Kit

Key Number	Description	Material
6	Spring	ASTM A313 S30200
14	Packing Set	PTFE (Polytetrafluoroethylene) / PTFE, 25% carbon filled
16	Washer	ASTM A240 S31600
20	Spacer	J-2000 (filled-Polytetrafluoroethylene)

Figure 4. ENVIRO-SEAL Packing Kit (Optional for Stainless Steel Only)

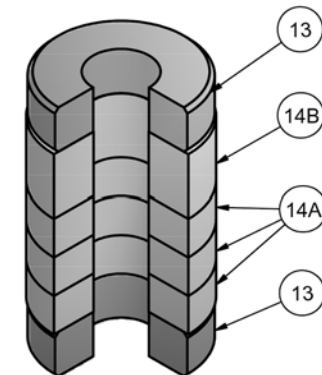


E1248

Table 5. ENVIRO-SEAL Packing Kit (Optional for Stainless Steel Only)

Key Number	Description	Material
13	Bushing	Carbon-Graphite
14	Packing Set	PTFE (Polytetrafluoroethylene) / PTFE, 25% carbon filled
17	Belleville Spring	N06600 Nickel Alloy (ASTM B637 N07718, 40 HRC max)
18	Bushing	PEEK (polyetheretherketone)
19	Washer	Modified PTFE

Figure 3. Molded Graphite (Flexible Graphite) Packing Kit (Optional)



E1241

Table 4. Molded Graphite (Flexible Graphite) Packing Kit (Optional)

Key Number	Description	Material
13	Bushings	Carbon-Graphite
14A	Packing Rings	Graphite
14B	Packing Ring	Graphite

Special ENVIRO-SEAL Packing Note

The ENVIRO-SEAL PTFE packing system is suitable for 100 ppm environmental applications on services up to 51.7 barg (750 psig) and process temperatures ranging from -46 to 232°C (-50 to 450°F).

For non-environmental applications, this packing system offers excellent performance at the same temperature range up to the maximum valve working pressure.

Temperature limits apply to packing arrangements only. Complete valve assembly temperature limits may differ, refer to appropriate pressure/temperature ratings.

(Reference Fisher Packing Selection Guidelines for Sliding-Stem Valves, Bulletin 59.1:062, D101986X012).

Table 6. Technical Specifications

NOMINAL PIPE SIZE	NPS 1/2, 1, 1-1/2, and 2	
END CONNECTIONS	Screwed NPT	
SEAT PLUG SEALING	Metal-to-Metal	
CHARACTERISTIC	Linear	
SEAT LEAKAGE	Class III	
VALVE BODY MATERIAL	Bronze	Stainless Steel
PRESSURE RATING	400 psi @ 150°F / 250 psi @ 400°F	720 psi @ 150°F / 515 psi @ 400°F
TEMPERATURE LIMITS	-20 to 400°F	

Figure 5. Valve Body and Temperature Limits

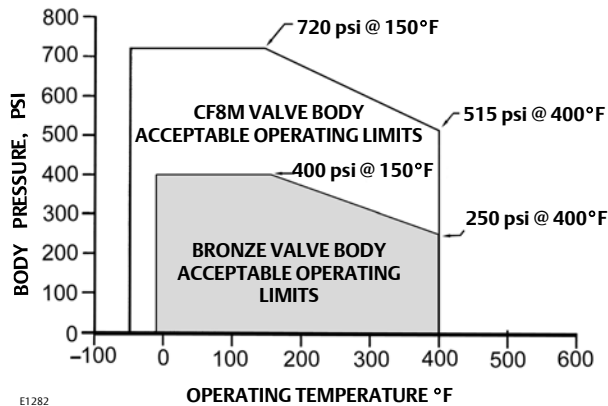


Table 7. Maximum Cv Values at 100% Plug Opening (Kv = 0.86 x Cv)

VALVE SIZE	ORIFICE DIAMETER	PLUG TRAVEL	RATED VALUES
NPS	inches	inches	Cv
1/2	0.626	0.56	1, 2
	0.876	0.56	4
1	0.876	0.56	4
	1.126	0.56	10
1-1/2	1.676	0.75	20
2	2.126	0.75	40

Table 8. Maximum Cv Values

Valve Series	Cv Rating	FL	Fd	X _T	K _C
688	1	0.9	0.46	0.68	0.73
	2				
	4				
	10				
	20				
	40				

Table 9. Actuator Specifications

TYPE ⁽¹⁾	32, 54, 70 Multi-Spring Diaphragm (Single Acting)
DIAPHRAGM AREA	210, 350, 450 cm ² / 32, 54, 70 in ²
AIR FAILURE	32 and 54 Fails Open or Closed (Field Reversible) / 70 Fails Closed ONLY
TRAVEL ⁽²⁾	14.2 or 19.1 mm / 0.56 or 0.75 inches
AMBIENT TEMPERATURE RANGE	-29°C to 71°C / -20°F to 160°F
MAXIMUM AIR PRESSURE	2.41 barg / 35 psig
DIAPHRAGM MATERIAL ⁽³⁾	NBR (Nitrile) / TPES (Polyester Thermoplastic)
SPRING CASES	Steel, Powder Epoxy-Coated with Stainless Steel Fasteners
YOKE	Ductile Iron, Powder Epoxy-Coated

1. Electric actuators available. Refer to bulletins 52.1:ECV (D103347X012) and 52.1:NVACT (D103326X012).
 2. Dual travel stops are available on Baumann 32 and 54 actuators. These are not field reversible.
 3. Optional reinforced VMQ (Silicone) diaphragm with FKM (Fluorocarbon) O-ring actuator stem seal for high temperature conditions (-29°C to 121°C / -20°F to 250°F) is available with Baumann 32 and 54 actuators ONLY.

24003 Valve

Table 10. Allowable Pressure Drops (psi) - Mixing (Combining) Service

ORIFIC DIAMETER (inch)	NOMINAL PLUG TRAVEL (inch) ⁽¹⁾	ACTUATOR TYPE	BENCH RANGE (psi)	ALLOWABLE PRESSURE DROP PORT L FAILS CLOSED (PSI)		BENCH RANGE (psi)	ALLOWABLE PRESSURE DROP PORT L FAILS OPEN (PSI)	
				3-15 psi Signal to Actuator	With Positioner 20 psig Air Supply		3-15 psi Signal to Actuator	With Positioner 20 psig Air Supply
0.626	0.56	32	5-13	112	225	3-11	281	563
			7-15	225	337	5-13	112	394
		54	7-14	375	563	3-10	469	720
			9-15	563	720	3-13	187	656
0.876	0.56	32	5-13	60	121	3-11	151	303
			7-15	121	259	5-13	60	212
		54	7-14	202	303	3-10	252	505
			9-16	303	404	3-13	101	353
1.126	0.56	32	5-13	37	75	3-11	94	189
			7-15	75	113	5-13	37	132
		54	7-14	126	189	3-10	157	315
			9-16	189	252	3-13	63	220
		70	8-15	220	309	---	---	---
		1.676	0.75	54	5-15	29	58	3-10
7-13	58				88	3-13	29	102
70	7-15			82	123	---	---	---
2.126	0.75	54	3-10	---	---	3-10	46	93
			7-13	37	55	3-13	18	65
		70	7-15	52	78	---	---	---
			10-15	91	117	---	---	---

1. Use Baumann 54 or larger actuator with molded graphite ribbon or ENVIRO-SEAL packing systems.

Table 11. Allowable Pressure Drops (psi) - Diverting (Diverging) Service

ORIFIC DIAMETER (inch)	NOMINAL PLUG TRAVEL (inch) ⁽¹⁾	ACTUATOR TYPE	BENCH RANGE (psi)	ALLOWABLE PRESSURE DROP PORT L FAILS CLOSED (PSI)		BENCH RANGE (psi)	ALLOWABLE PRESSURE DROP PORT L FAILS OPEN (PSI)	
				3-15 psi Signal to Actuator	With Positioner 20 psig Air Supply		3-15 psi Signal to Actuator	With Positioner 20 psig Air Supply
0.626	0.56	32	5-13	80	160	3-11	201	402
			7-15	160	241	5-13	80	281
		54	7-14	268	402	3-10	335	670
			9-15	402	670	3-13	134	469
0.876	0.56	32	5-13	43	86	3-11	108	216
			7-15	86	185	5-13	43	151
		54	7-14	144	216	3-10	180	360
			9-16	216	288	3-13	72	252
1.126	0.56	32	5-13	27	54	3-11	67	135
			7-15	54	81	5-13	27	94
		54	7-14	90	135	3-10	112	225
			9-16	135	180	3-13	45	157
		70	8-15	157	220	---	---	---
		1.676	0.75	54	5-15	21	42	3-10
7-13	42				63	3-13	21	73
70	7-15			59	88	---	---	---
2.126	0.75	54	3-10	---	---	3-10	33	66
			7-13	26	39	3-13	13	46
		70	7-15	37	55	---	---	---
			10-15	65	83	---	---	---

1. Use Baumann 54 or larger actuator with molded graphite ribbon or ENVIRO-SEAL packing systems.

Figure 6. Mixing Service Flow Characteristics

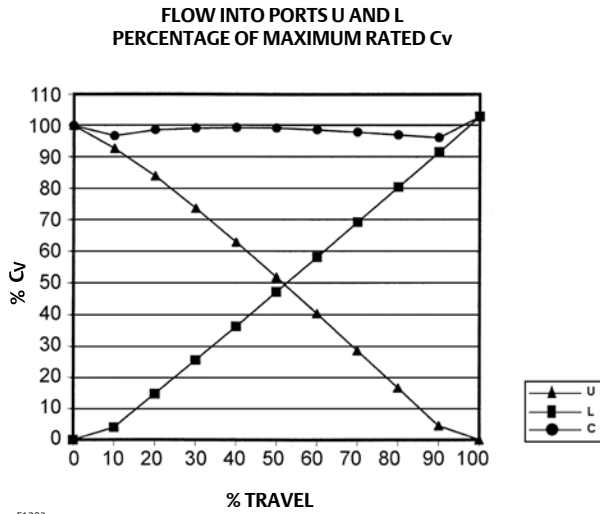


Figure 7. Diverting Service Flow Characteristics

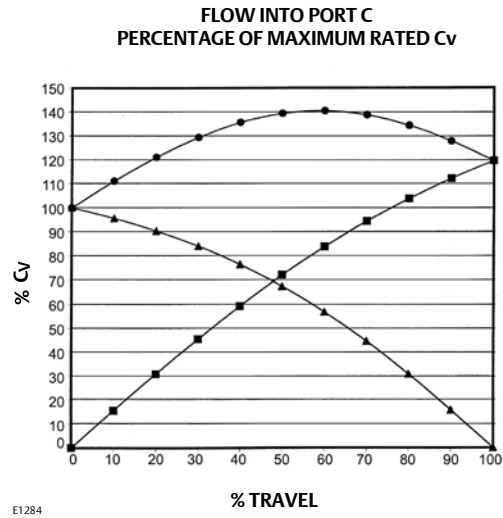


Table 12. Valve Body Dimensions and Weights: NPT Valve Bodies Only

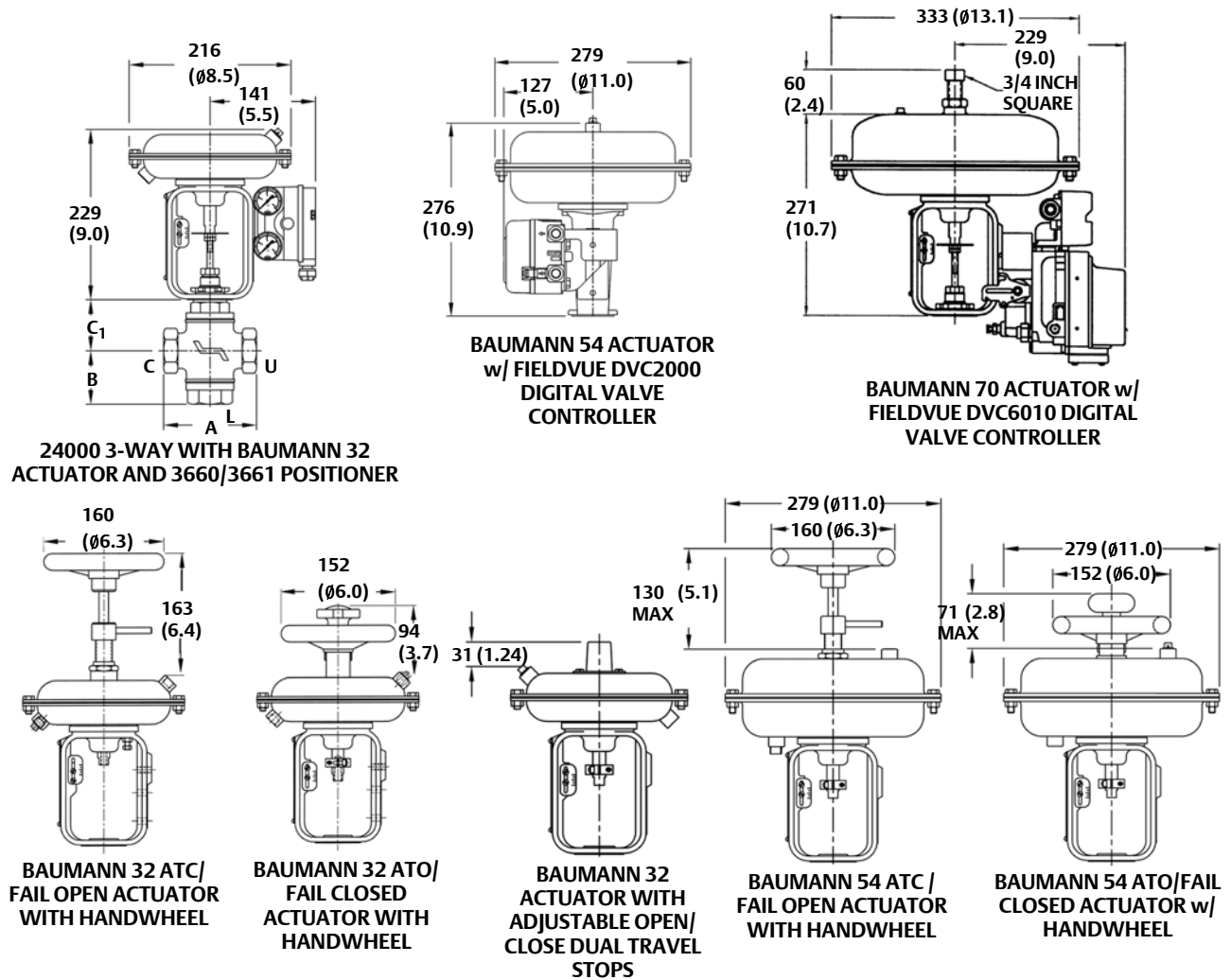
VALVE SIZE	VALVE BODY MATERIAL						TRAVEL	WEIGHT
	BRONZE, NPT			STAINLESS STEEL, NPT (A)				
NPS	A	B	C1	A	B	C1	Inches	lbs
1/2	4.88	2.75	2.75	5.0	2.75	2.75	0.56	8
1	4.88	2.75	2.75	5.0	2.75	2.75	0.56	8
1-1/2	5.75	3.81	3.31	6.1	3.38	3.31	0.75	15
2	6.50	4.0	3.6	6.50	3.75	3.6	0.75	20

Table 13. Actuator Weights

BAUMANN 32 ACTUATOR		BAUMANN 54 ACTUATOR		BAUMANN 70 ACTUATOR	
kg	lbs	kg	lbs	kg	lbs
4.5	10	11.3	25	15.4	34

24003 Valve

Figure 8. Dimensional Drawings



mm
(inch)

E1285

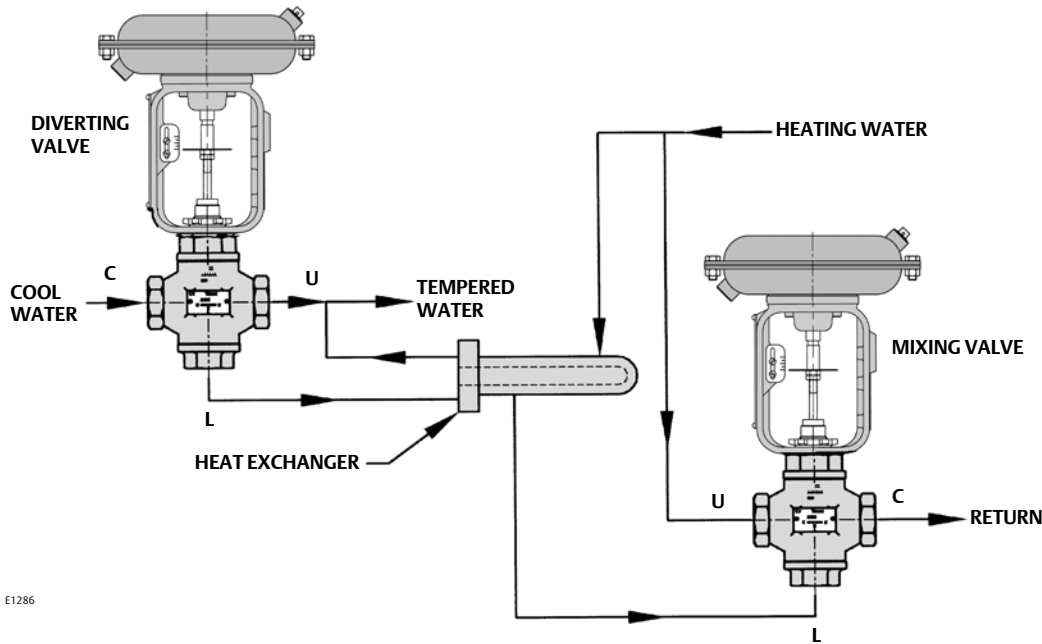
Note: Actuator removal requires 115 mm (4.5 inches) vertical clearance.

Table 14. Application Port⁽¹⁾

Service	Inlet	Outlet
Diverting	C	U and L
Mixing	U and L	C

1. C = Common port, U = Upper port, L = Lower port

Figure 9. Mixing and Diverting Applications



E1286

Table 15. Model Numbering System

Actuator Type	24	Service		Port "L" Fails		3	Material	
Valve Body Series						3-Way Valve Body		
32	24	D	Diverting	1	Closed	3	---	Bronze
54		M	Mixing	2	Open		S	Stainless Steel
70								

Neither Emerson, Emerson Process Management, nor any of their affiliated entities assumes responsibility for the selection, use or maintenance of any product. Responsibility for proper selection, use, and maintenance of any product remains solely with the purchaser and end user.

Baumann, ENVIRO-SEAL, Fisher, FIELDVUE, and PlantWeb are marks owned by one of the companies in the Emerson Process Management business unit of Emerson Electric Co. Emerson Process Management, Emerson, and the Emerson logo are trademarks and service marks of Emerson Electric Co. All other marks are the property of their respective owners.

The contents of this publication are presented for informational purposes only, and while every effort has been made to ensure their accuracy, they are not to be construed as warranties or guarantees, express or implied, regarding the products or services described herein or their use or applicability. All sales are governed by our terms and conditions, which are available upon request. We reserve the right to modify or improve the designs or specifications of such products at any time without notice.

По вопросам продаж и поддержки обращайтесь:

Волгоград (844)278-03-48, Воронеж (473)204-51-73, Екатеринбург (343)384-55-89, Казань(843)206-01-48, Краснодар(861)203-40-90, Красноярск(391)204-63-61, Москва(495)268-04-70, Нижний Новгород(831)429-08-12, Самара(846)206-03-16, Санкт-Петербург(812)309-46-40, Саратов(845)249-38-78,

Единый адрес: fhv@nt-rt.ru