

По вопросам продаж и поддержки обращайтесь:

Волгоград (844)278-03-48, Воронеж (473)204-51-73, Екатеринбург (343)384-55-89, Казань(843)206-01-48,  
Краснодар(861)203-40-90, Красноярск(391)204-63-61, Москва(495)268-04-70, Нижний Новгород(831)429-08-12, Самара(846)206-03-16,  
Санкт-Петербург(812)309-46-40, Саратов(845)249-38-78,  
Единый адрес: fhv@nt-rt.ru

24000CVF and 24000SVF Valves [www.fishvalve.nt-rt.ru](http://www.fishvalve.nt-rt.ru)

Product Bulletin

# Baumann™ 24000CVF Carbon & 24000SVF Stainless Steel Flanged Control Valves

The Baumann 24000CVF and 24000SVF line of control valves can be utilized for the control of pressure, temperature, level, and flow. These valves are available with ASME CL150 RF, CL300 RF, or PN 10-40 flanged end connections. The high performance 24000CVF and SVF designs feature low deadband and hysteresis, high flow capacity, superb control characteristics, tight shutoff and advanced packing systems to meet demanding service conditions. Compact and light weight make them ideal for installation in high density piping systems where space is a premium.

## Features

- Compact and light weight design reduces installed piping costs
  - ASME and EN end connection options to meet your piping standards
  - Full lift post-guided contoured plug allows flushing of debris through valve body
  - S31600 austenitic stainless steel trim material is standard; S41600 stainless steel trim is available
  - Multiple trim options are available to meet changing process requirements
  - Epoxy powder-coated actuator with stainless steel fasteners provides corrosion resistance
  - Multi-spring field-reversible actuator with reduced deadband permits direct operation from remote signal devices
  - Fisher® FIELDVUE™ digital valve controller available for remote calibration and diagnostics in facilities utilizing the PlantWeb™ architecture
- ENVIRO-SEAL™ packing available for increased packing life and integrity
  - NOLEEK bellows bonnet suitable for a wide range of operating temperatures
  - Extension bonnets in multiple lengths available for elevated temperature and cryogenic application service



W9745-1

**Baumann 24000CVF Control Valve with FIELDVUE DVC6200 Digital Valve Controller**

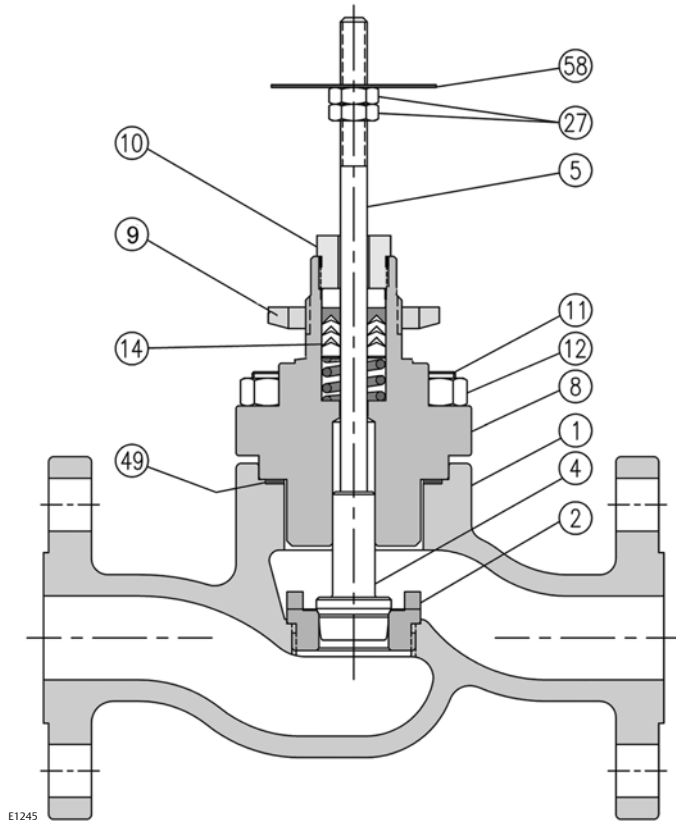


W9746

**Baumann 24000SVF Control Valve with FIELDVUE DVC2000 Digital Valve Controller**



Figure 1. Baumann 24000CVF / SVF Control Valve Subassembly



E1245

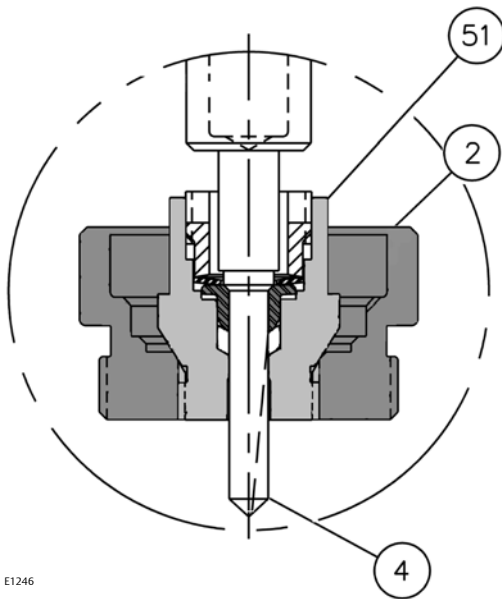
24000CVF and 24000SVF Valves

Table 1. Materials of Construction

Key No.	Description	Material
1	Valve Body, Carbon Steel	Cast Carbon Steel (ASME SA216 WCC and EN10213 1.0619 Dual Certified)
	Valve Body, Stainless Steel	ASME SA351 CF3M
2	Seat Ring (For Low Flow Trim, Refer to tables 2 & 3)	Standard ASTM A276 S31600/ S31603 Dual Certified / Optional ASTM A582 S41600 Condition T
4	Plug (Metal Seat) Cv < 2.5	ASME SA479 S21800 (standard) / ASTM A582 S41600 Condition T (optional)
	Plug (Metal Seat) Cv > 4.0	ASTM A276 S31600/ S31603(standard) / ASTM A582 S41600 Condition T (optional)
	Plug (Soft Seat)	ASTM A276 S31600/ S31603 with PTFE (Polytetrafluoroethylene) insert
5	Stem	ASTM A276 S31600
8	Bonnet, Carbon Steel (Std)	Cast Carbon Steel (ASME SA216 WCC and EN10213 1.0619 Dual Certified)
	Bonnet, Stainless Steel (Std)	ASME SA351 CF3M
	Bonnet (extended) <sup>(1)</sup>	ASME SA351 CF3M
	Bonnet (NOLEEK) <sup>(1)</sup>	ASME SA351 CF3M & ASTM A479 S31600/S31603, Annealed
8a	Bonnet Bushing <sup>(2)</sup>	ASTM A276 S44004, HT 56-60 HRC
9	Drive Nut (Yoke)	S30400
10	Packing Follower	ASTM A276 S31600/S31603 Dual Certified
11	Stud	ASME SA193 Grade B8, Class 1
12	Nut	ASME SA194 Grade 8
14	V-Ring Packing (standard)	Refer to figure 4, table 4
	Packing (optional)	Refer to figures 5 & 6, tables 5 & 6
27	Locknuts	Stainless Steel (18-8 SST)
49	Body Gasket	Graphite Grade GHR with S31600 Insert
58	Travel Indicator	ASME SA240 S30400

1. Extension bonnets and NOLEEK bellows bonnets are available with 24000SVF stainless steel valves only.  
2. Guide bushing is applicable to 24000CVF carbon steel valve assembly only.

Figure 2. Optional 151 Low Flow Trim Assembly



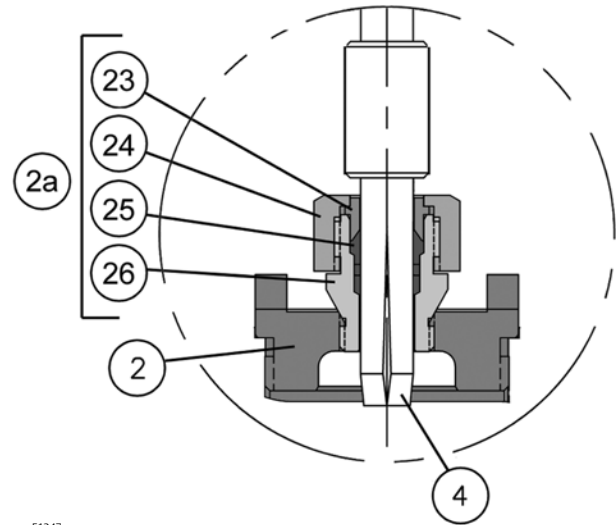
E1246

## 151 Low Flow Trim Assembly

The PTFE seat surrounds the valve plug (key 4) to eliminate clearance flow typical of lapped-in metal-to-metal close clearance micro trims. Flow is directed over the valve plug and forced through a single V-notch path as the plug moves above the PTFE seat providing precise and predictable control over its entire travel range. When the V-notch moves below the PTFE seat, CLVI primary shutoff is achieved.

A live-loaded metal collar fully retains the PTFE seat. The valve plug (key 4) seats against the metal collar providing CL IV secondary shutoff. In addition, the fluid process pressure combines with the actuator seating force to form a hydraulic seal within the fully retained PTFE seat. Therefore, the higher the process pressure the tighter the shutoff.

Figure 3. Optional 177 Low Flow Trim Assembly



E1247

Table 2. 151 Low Flow Trim

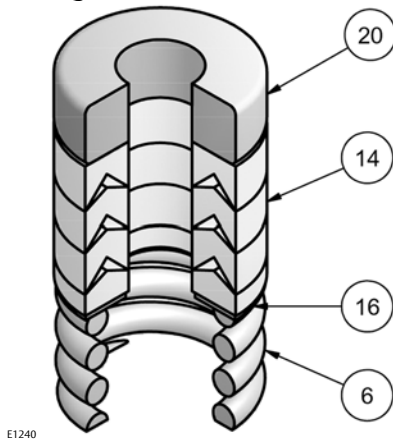
Key No.	Description	Material
2 <sup>(1)</sup>	Seat Ring	ASTM A276 S31600/ S31603
4 <sup>(1)</sup>	Plug	ASME SA479 S21800
Seat Subassembly		
51 <sup>(1)</sup>	Cage	ASTM A276 S31600/ S31603
	Seat	PTFE
	Collar	ASTM A276 S31600/ S31603
	Washer	ASTM A276 S31600 Cond B
	Insert	ASTM A276 S31600/ S31603
1. For optional trim materials, consult your Emerson Process Management sales office for price and delivery.		

Table 3. 177 Low Flow Trim

Key No.	Description	Material	
2 <sup>(1)</sup>	Seat Ring	ASTM A276 S31600/ S31603	
Seat Subassembly			
2a <sup>(1)</sup>	23	Gland	ASTM A276 S31600/ S31603
	24	Retainer Nut	ASTM A276 S31600/ S31603
	25	Insert	Reinforced PTFE
	26	Housing	ASTM A276 S31600/ S31603
4 <sup>(1)</sup>		Plug	ASME SA479 S21800
1. For optional trim materials, consult your Emerson Process Management sales office for price and delivery. Baumann 32 actuator requires dual-stops with 177 trim series.			

24000CVF and 24000SVF Valves

Figure 4. Standard Spring-Loaded PTFE V-Ring Packing Kit

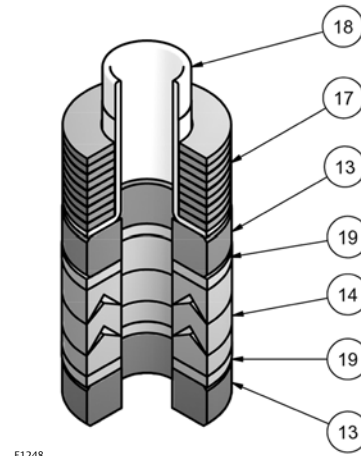


E1240

Table 4. Standard Spring-Loaded PTFE V-Ring Packing Kit

Key No.	Description	Material
6	Spring	ASTM A313 S30200
14	Packing Set	PTFE (Polytetrafluoroethylene) / PTFE, 25% carbon filled
16	Washer	ASME SA240 S31600
20	Spacer	J-2000 (filled-Polytetrafluoroethylene)

Figure 6. ENVIRO-SEAL Packing Kit (Optional)

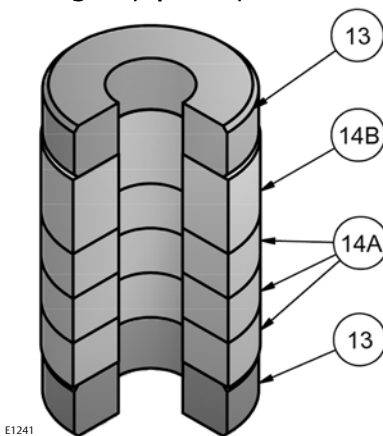


E1248

Table 6. ENVIRO-SEAL Packing Kit (Optional)

Key No.	Description	Material
13	Bushings	Carbon Graphite
14	Packing Set	PTFE (Polytetrafluoroethylene) / PTFE, 25% carbon filled
17	Belleville Spring	N06600 Nickel Alloy (ASTM B637 N07718, 40 HRC max)
18	Bushing	PEEK (Polyetheretherketone)
19	Washer	Modified PTFE

Figure 5. Molded Graphite (Flexible Graphite) Packing Kit (Optional)



E1241

Table 5. Molded Graphite (Flexible Graphite) Packing Kit (Optional)

Key No.	Description	Material
13	Bushings	Carbon - Graphite
14A	Packing Rings	Graphite
14B	Packing Ring	Graphite

## Special ENVIRO-SEAL Packing Note

The ENVIRO-SEAL PTFE packing system is suitable for 100 ppm environmental applications on services up to 51.7 barg (750 psig) and process temperatures ranging from -46 to 232°C (-50 to 450°F).

For non-environmental applications, this packing system offers excellent performance at the same temperature range up to the maximum valve working pressure.

Temperature limits apply to packing arrangements only. Complete valve assembly temperature limits may differ. Refer to appropriate pressure/ temperature ratings.

Reference Fisher Packing Selection Guidelines for Sliding-Stem Valves, bulletin 59.1:062, D101986X012.

**⚠ WARNING**

The Baumann NOLEEK valve bonnet assembly is not intended for use in lethal service applications.

The NOLEEK Bellows Bonnet Assembly is reliable and user-friendly. Typical service life is in excess of 250,000 full cycles under 100 psi pressure. The bonnet adds only approximately 5 inches to the height of a standard valve. Operating temperature range is -195 to 399°C (-320 to 750°F).

ONLY AVAILABLE WITH 24000SVF STAINLESS STEEL VALVES.

Figure 7. Baumann NOLEEK Bellow Bonnet Assembly

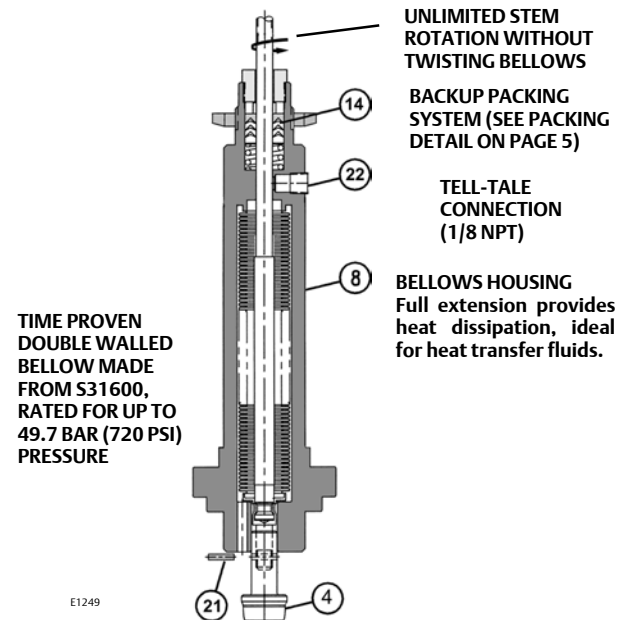


Table 7. Baumann NOLEEK Bellow Bonnet Assembly

Key Number	Description	Material	
4	Plug	Refer to table 1	
8	Bellows Bonnet Sub-Assembly	Housing	S31600/S31603
		Bellows	S31603/1.4571 SST
		Bonnet	CF3M
21	Plug Retaining Pin	S30300	
22	Hex Socket Pipe Plug, 1/8 NPT	S30400	

Figure 8. Bellows Pressure / Temperature Curve

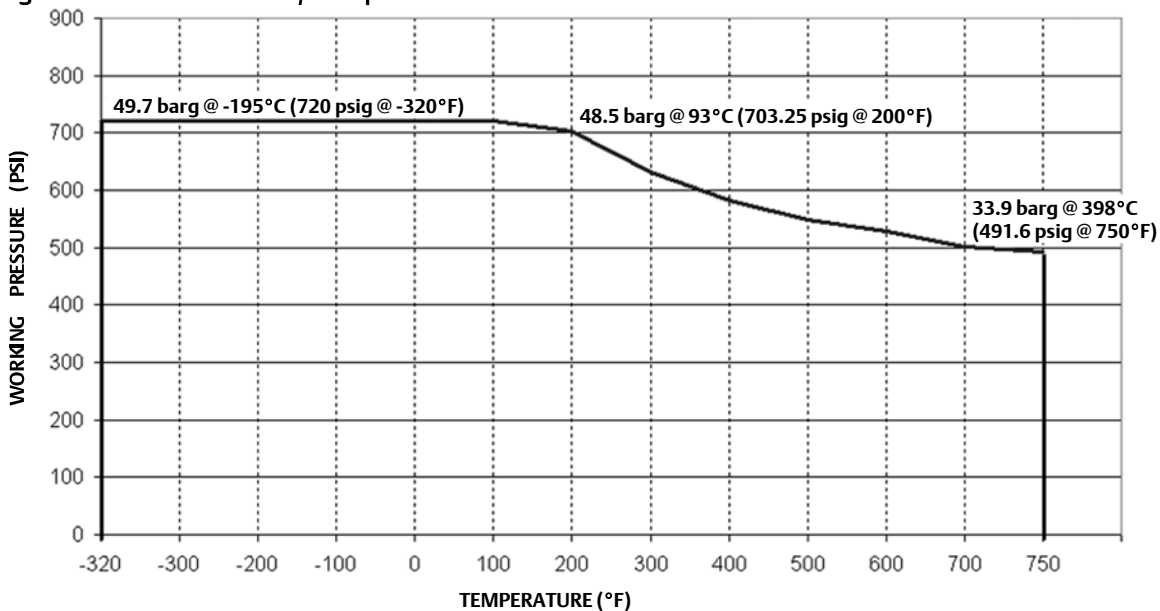


Table 8. Cv Values at 100% Plug Opening ( $K_v = 0.86 \times C_v$ )

VALVE SIZE	ORIFICE DIAMETER	PLUG TRAVEL	PLUG SERIES								
			102	151	177	577	548 / 588	677	648 / 688		
NPS	inch	inch	Cv	Cv	Cv	Cv	Cv	Cv	Cv		
1/2 3/4 1	0.156	0.50	---	0.00013 0.00025 0.0005 0.001 0.002 0.004 0.008 0.015 0.03 0.06 0.10 0.20 0.45	---	---	---	---	---		
			0.25	0.50	0.02, 0.05 0.10, 0.20	---	---	---	0.22, 0.61 1.0	---	0.5 1.0
			0.3125	0.50	---	---	0.0005 0.001, 0.002 0.005, 0.01 0.02, 0.05	---	---	---	---
			0.375	0.50	---	---	---	1.0, 1.5 2.5	1.5 2.5	0.1, 0.2, 0.5 1.0, 2.5	1.5 2.5
1/2	0.8125	0.50	---	---	---	4, 6	4.7, 6.7	5	4, 6		
3/4	0.8125	0.50	---	---	---	4, 7.5	4.7, 10	5	4, 8		
1	0.8125	0.50	---	---	---	4, 8.5	4.7, 10	5	4, 9		
	1.0625	0.50	---	---	---	13	15.5	---	13		
1-1/2	1.25	0.75	---	---	---	20	10, 20	20	10, 20		
	1.5	0.75	---	---	---	10, 17, 28	10, 17, 32.7	10, 17	10, 17, 28		
2	1.5	0.75	---	---	---	10, 17, 28	10, 17, 32.7	10, 17	10, 17, 28		
	2.0	0.75	---	---	---	30	53.7	30, 50	30, 50		

Figure 9. Baumann 24000CVF / SVF Trims

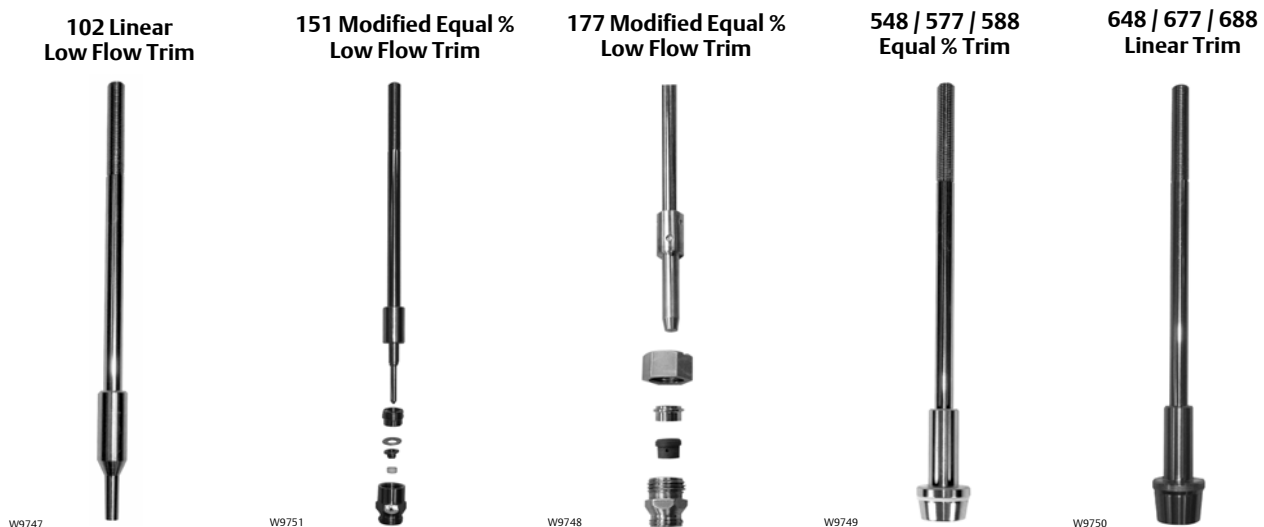


Table 9. ISA Sizing Coefficients

Series	Cv Rating	FL	Fd	XT	KC
102	0.02 0.05 0.10 0.20	0.95	0.06 0.09 0.013 0.18	0.76	0.86
151	0.00013 0.00025 0.0005 0.001 0.002 0.004 0.008 0.015 0.03 0.06 0.10 0.20 0.45	0.98	0.35 0.04 0.05 0.06 0.075 0.1 0.11 0.15 0.18 0.22 0.25 0.3 0.4	0.81	0.94
177	0.0005 0.001 0.002 0.005 0.01 0.02 0.05	0.95	0.7	0.76	0.86
577	1 1.5 2.5 4 6 7.5 8.5 10 13 17 20 28 30	0.9	0.40 0.33 0.42  0.46	0.68	0.73
548/588	0.22 0.61	0.98	0.28	0.81	0.94
	1 1.5 2.5 4.7 6.7 10 15.5 20 17 32.7 53.7	0.9	0.4 0.33 0.46  0.46	0.68	0.73



Table 9. ISA Sizing Coefficients (continued)

Series	Cv Rating	FL	Fd	XT	KC
677	0.1	0.9	0.08	0.68	0.73
	0.2		0.12		
	0.5		0.19		
	1		0.27		
	2.5		0.46		
	5				
	10				
	17				
	20				
648/688	30	0.9	0.4	0.68	0.73
	50				
	0.5				
	1		0.33		
	1.5		0.42		
	2.5		0.46		
	4				
	6				
	8				
	9				
	10				
	13				
	20				
28					
30					
50					

Table 10. Technical Specifications

VALVE TYPE	EN	ASME
NOMINAL PIPE SIZE	DN 15, 20, 25, 40, & 50	NPS 1/2, 3/4, 1, 1-1/2, & 2
END CONNECTIONS	PN 10-40 Flanges per EN 1092-1	CL150 RF or CL300 RF Flanges per ASME B16.5
PRESSURE RATING	PN 40 per EN 1092-1	CL150 or CL300 per ASME B16.34
FACE-TO-FACE DIMENSIONS	Consistent with EN 558-1	Consistent with EN 588-2 (ISA S75.03)

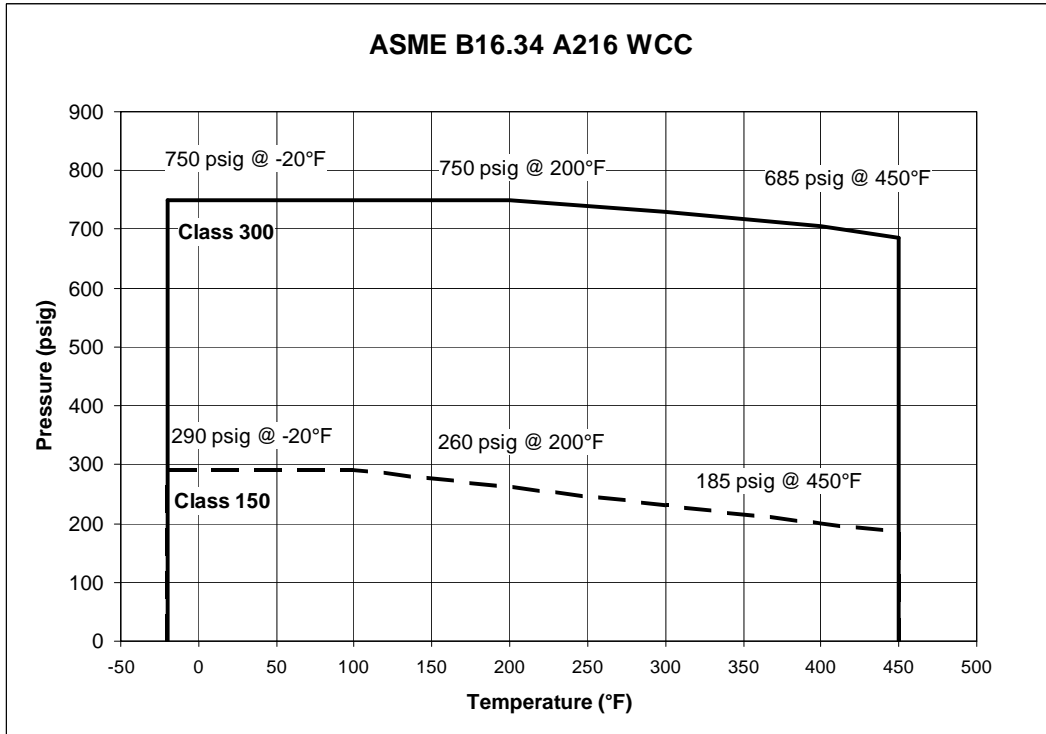
Table 11. Temperature Ratings for Packing and Seat Material<sup>(1)</sup>

<b>SEATING MATERIAL</b>	PTFE Soft Seat	151 Trim	-29 to 177°C (-20 to 350°F)
		577 & 677 Trim	-73 to 232°C (-100 to 450°F)
	Reinforced PTFE	177 Trim	-73 to 232°C (-100 to 450°F)
	Metal Seat	102, 548, 588, 648, 688 Trim	-195 to 537°C (-320 to 1000°F)
<b>PACKING AND BONNET COMBINATIONS</b>	<b>BONNET STYLE</b>	<b>PACKING</b>	<b>TEMPERATURE LIMIT</b>
	Standard Bonnet	Spring Loaded PTFE	-73 to 232°C (-100 to 450°F)
		ENVIRO-SEAL	-46 to 232°C (-50 to 450°F)
		Graphite	-73 to 232°C (-100 to 450°F)
	Extension Bonnet <sup>(2, 3)</sup>	Spring Loaded PTFE	-195 to 232°C (-320 to 450°F)
		ENVIRO-SEAL	-46 to 232°C (-50 to 450°F)
		Graphite	-195 to 537°C (-320 to 1000°F)
Bellows <sup>(2)</sup>	NOLEEK Bellows	-195 to 399°C (-320 to 750°F)	
<b>CHARACTERISTIC</b>	Equal Percentage or Linear		
<p>1. Temperature limits apply to seating or packing arrangements only. Complete valve assembly temperature limits may differ, refer to appropriate pressure/temperature ratings. For more information on packing selection, reference Fisher Packing Selection Guidelines for Sliding-Stem Valves, Bulletin 59.1:062 (D101986X012).</p> <p>2. Extension bonnets and NOLEEK bellows bonnets are applicable for the 24000SVF stainless steel body assembly ONLY.</p> <p>3. PTFE packing can be used in cryogenic service but becomes stiff.</p>			

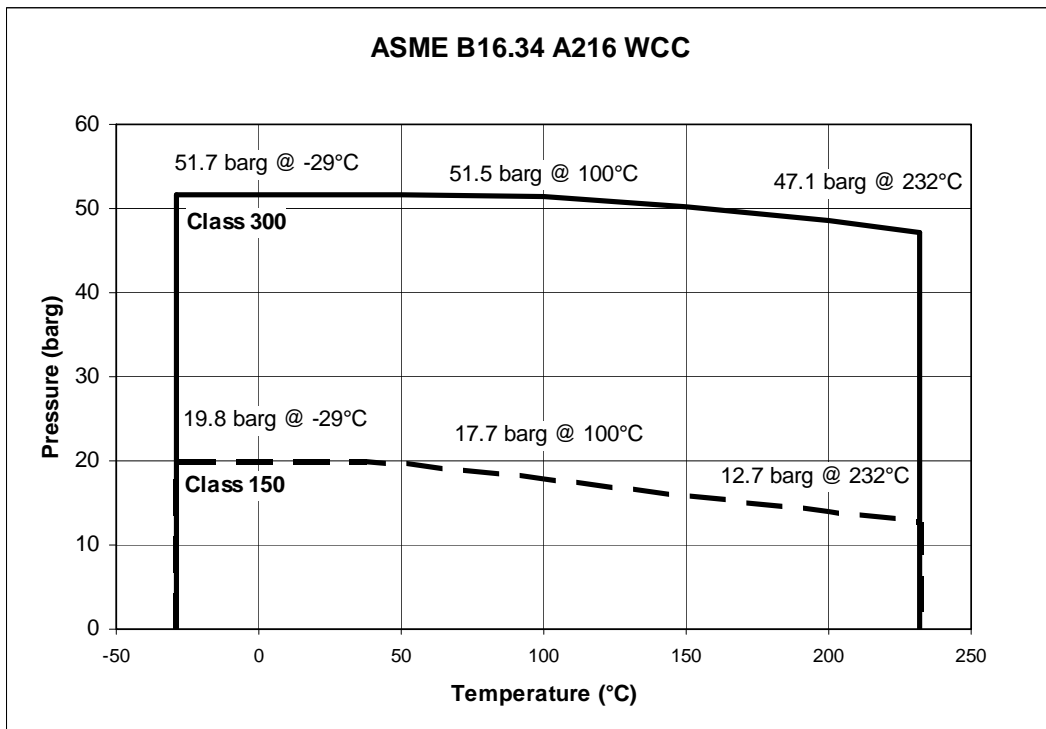
Table 12. Actuator Specifications

<b>TYPE</b>	32, 54, 70 Multi-Spring Diaphragm (Single Acting)
<b>DIAPHRAGM AREA</b>	210, 350, 450 cm <sup>2</sup> / 32, 54, 70 in <sup>2</sup>
<b>AIR FAILURE</b>	32 and 54 Fails Open or Closed (Field Reversible) / 70 Fails Closed ONLY
<b>TRAVEL</b>	12.7 or 19.1 mm / 0.50 or 0.75 inches
<b>AMBIENT TEMPERATURE RANGE</b>	-29°C to 71°C / -20°F to 160°F
<b>MAXIMUM AIR PRESSURE</b>	2.4 barg / 35 psig
<b>DIAPHRAGM MATERIAL<sup>(1)</sup></b>	NBR (Nitrile) / TPES (Polyester Thermoplastic)
<b>SPRING CASES</b>	Steel, Powder Epoxy-Coated with Stainless Steel Fasteners
<b>YOKE</b>	Ductile Iron, Powder Epoxy-Coated
<p>1. Optional reinforced VMQ (Silicone) diaphragm with FKM (Fluorocarbon) O-ring actuator stem seal for high temperature conditions (-29°C to 121°C / -20°F to 250°F) is available with Baumann 32 and 54 actuators ONLY.</p>	

Figure 10. Baumann 24000CVF Carbon Steel Flanges, Pressure-Temperature Ratings

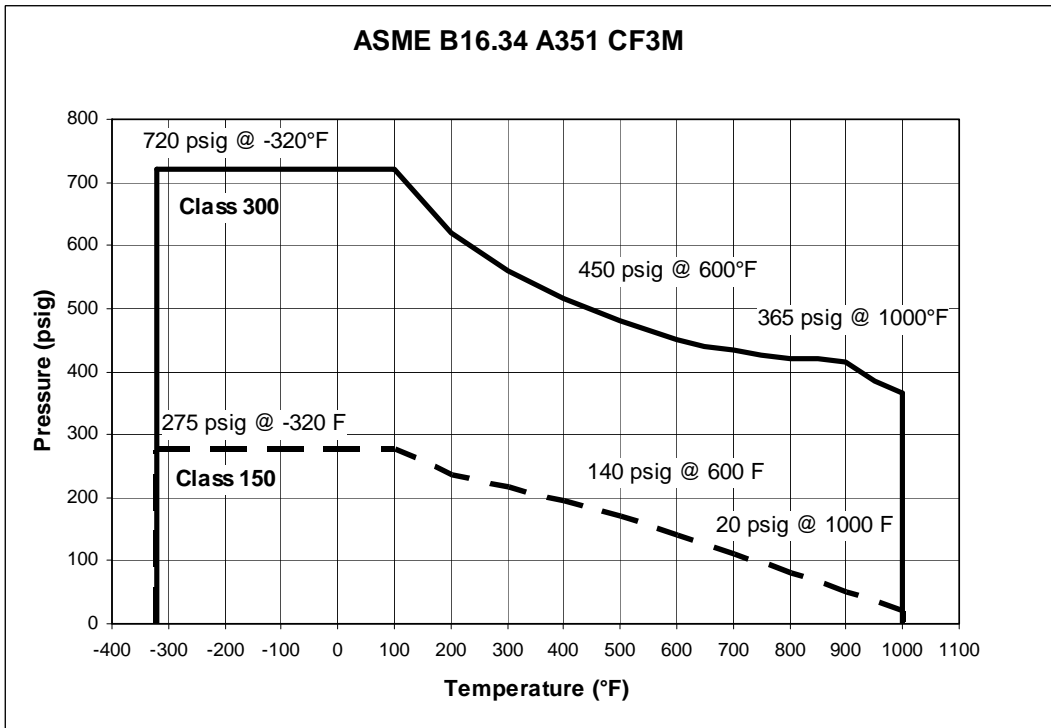


E1251-1

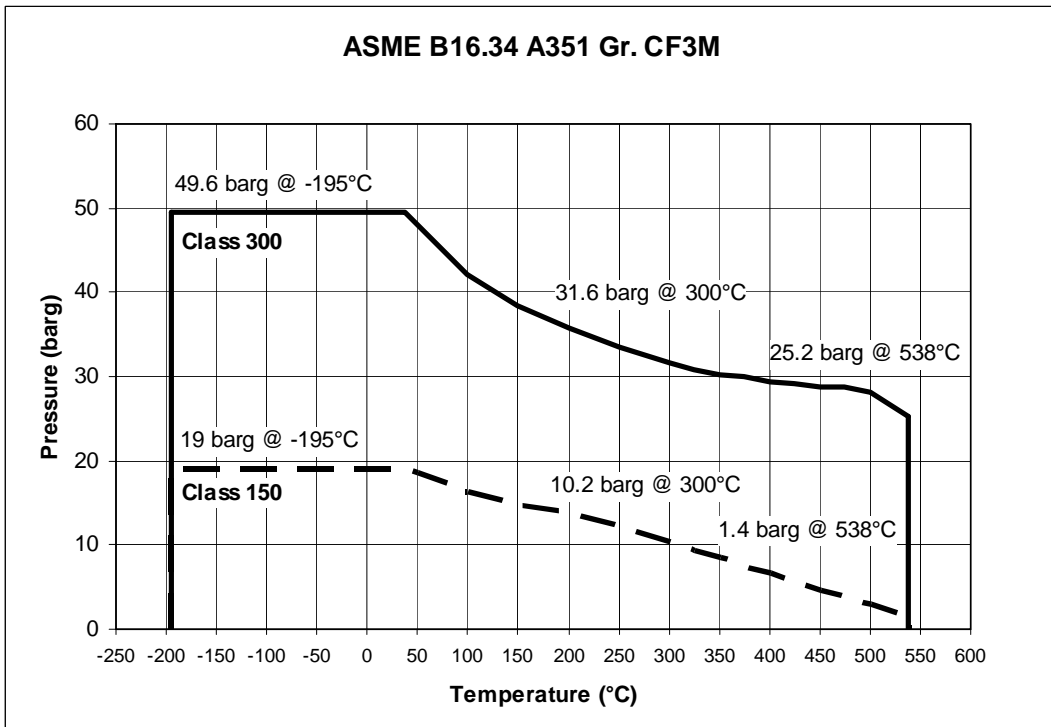


E1252-1

Figure 11. Baumann 24000SVF Stainless Steel Flanges, Pressure-Temperature Ratings

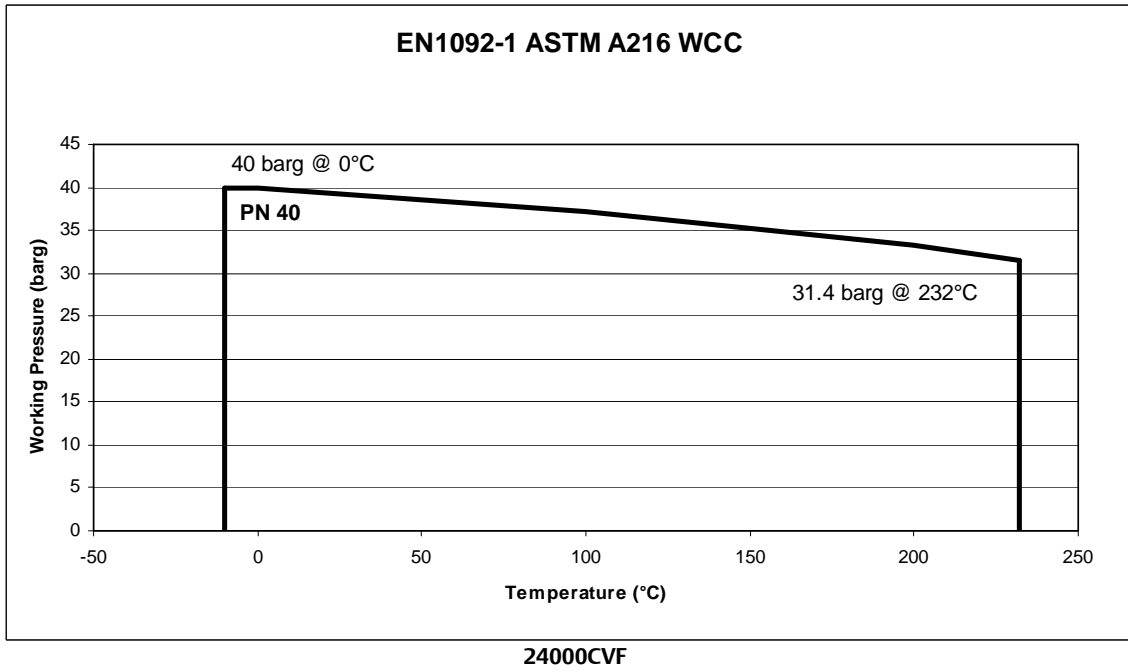


E1254-1

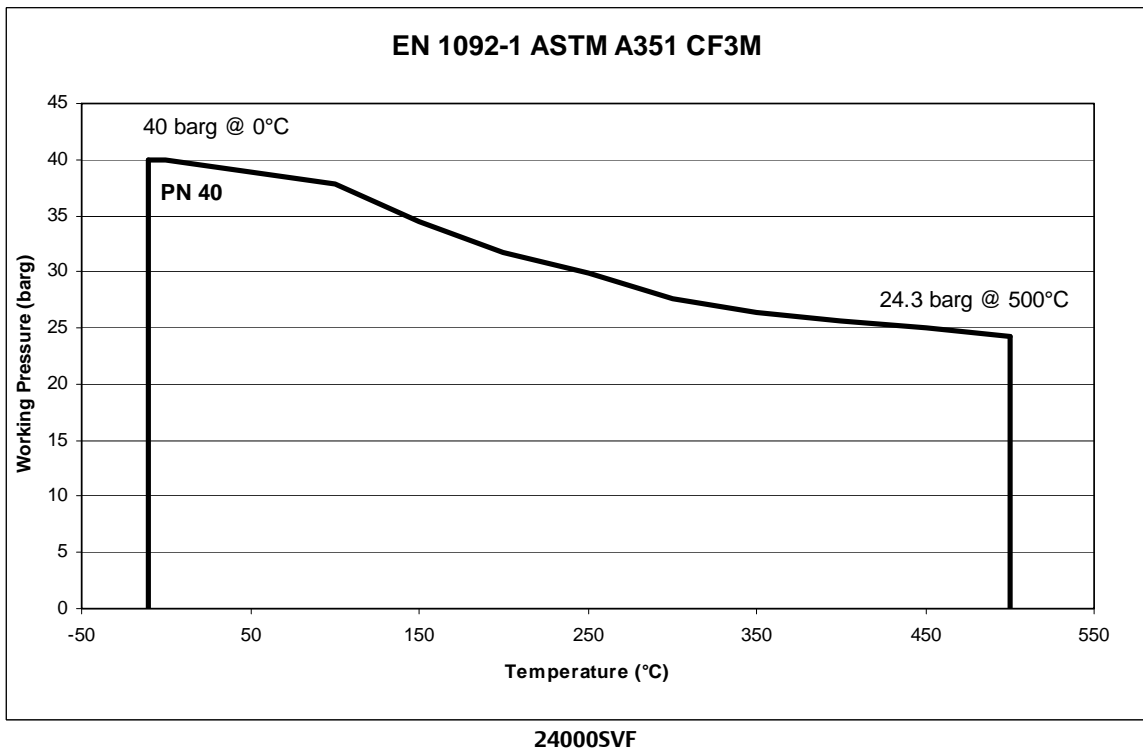


E1255-1

Figure 12. Baumann 24000CVF and 24000SVF Pressure-Temperature Ratings for EN 1092-1



E1253-1



E1256-1

Table 13. Allowable Pressure Drops (bar). Do not exceed valve body temperature pressure ratings.

ORIFICE DIA. (mm)	PLUG TRAVEL (mm)	ACT TYPE	AIR-TO-OPEN ACTION						AIR-TO-CLOSE ACTION					
			BENCH RANGE (barg)	0.2-1.0 barg SIGNAL TO ACTUATOR		WITH POSITIONER 1.38 barg AIR SUPPLY		BENCH RANGE (barg)	0.2-1.0 barg SIGNAL TO ACTUATOR		WITH POSITIONER 1.38 barg AIR SUPPLY			
				Max CL IV Shutoff Press.	Max CL VI Shutoff Press.	Max CL IV Shutoff Press.	Max CL VI Shutoff Press.		Max CL IV Shutoff Press.	Max CL VI Shutoff Press.	Max CL IV Shutoff Press.	Max CL VI Shutoff Press.		
4.0	12.7	32	0.3-1.0	51.7	---	51.7 <sup>(1)</sup>	---	0.2-0.9	51.7	---	51.7 <sup>(1,2)</sup>	---		
6.3	12.7	32	0.3-1.0	51.7	---	51.7 <sup>(1)</sup>	---	0.2-0.9	51.7	---	51.7 <sup>(1,2)</sup>	---		
7.9	12.7	32	0.3-1.0	---	28.8	---	51.7 <sup>(1,2)</sup>	0.2-0.9	---	28.8	---	51.7 <sup>(1,2)</sup>		
9.5	12.7	32	0.3-1.0	31.2	19.2	51.7 <sup>(1)</sup>	50.3	0.2-0.9	31.2	19.2	51.7 <sup>(1,2)</sup>	51.7 <sup>(1)</sup>		
20.6	12.7	32	0.3-1.0	7.79	1.31	15.6	9.10	0.2-0.9	7.79	1.31	27.3	20.8		
		32	0.5-1.0	15.6	9.10	23.4	16.9	0.2-0.7	19.5	13.0	39.0	32.5		
		54	0.3-1.0	5.93	---	17.7	11.2	0.2-0.9	11.8	5.30	41.4	34.8		
		54	0.5-1.0	23.6	17.0	35.4	28.9	0.2-0.7	29.5	23.0	51.7 <sup>(1)</sup>	51.7 <sup>(1)</sup>		
		54	0.6-1.0	35.4	28.9	47.2	40.7	---	---	---	---	---		
27.0	12.7	32	0.3-1.0	4.19	---	9.45	4.27	0.2-0.9	4.69	---	16.5	11.4		
		32	0.5-1.0	9.45	4.27	14.1	8.96	0.2-0.7	11.8	6.62	23.6	18.4		
		54	0.3-1.0	3.59	---	10.7	12.5	0.2-0.9	7.17	2.0	25.0	19.9		
		54	0.5-1.0	14.3	9.10	21.4	16.3	0.2-0.7	17.9	12.7	35.7	30.5		
		54	0.6-1.0	21.4	16.3	28.5	23.4	---	---	---	---	---		
31.8	19.1	32	0.3-1.0	3.45	---	6.96	2.48	0.2-0.9	3.45	---	12.1	7.65		
		32	---	---	---	---	---	0.2-0.7	8.69	4.20	17.3	12.9		
		54	0.3-1.0	5.24	---	10.5	6.07	0.2-0.9	5.24	---	18.3	13.9		
		54	0.5-0.9	10.9	6.07	15.7	11.3	0.2-0.7	13.1	8.69	26.3	21.8		
		54	0.7-1.0	18.3	13.9	23.6	19.2	---	---	---	---	---		
		70	0.7-1.0	24.9	20.5	32.1	27.6	---	---	---	---	---		
38.1	19.1	32	0.3-1.0	2.14	---	4.89	1.10	0.2-0.9	2.41	---	8.55	4.76		
		32	---	---	---	---	---	0.2-0.7	6.13	2.34	12.2	8.48		
		54	0.3-1.0	3.72	---	7.38	3.65	0.2-0.9	3.72	---	19.9	9.17		
		54	0.5-0.9	7.38	3.65	11.1	7.31	0.2-0.7	9.24	5.52	18.5	14.8		
		54	0.7-1.0	12.9	9.17	16.7	12.9	---	---	---	---	---		
		70	0.7-1.0	17.7	13.9	22.7	18.9	---	---	---	---	---		
		70	0.8-1.2	---	---	27.7	23.9	---	---	---	---	---		
50.8	19.1	32	0.3-1.0	1.38	---	2.83	---	0.2-0.9	1.38	---	4.89	2.0		
		32	---	---	---	---	---	0.2-0.7	3.52	---	7.03	4.14		
		54	0.3-1.0	2.14	---	4.27	1.38	0.2-0.9	2.14	---	7.44	4.55		
		54	0.5-0.9	4.27	1.38	6.34	3.52	0.2-0.7	5.31	2.41	10.6	7.72		
		54	0.7-1.0	7.45	4.55	9.58	6.69	---	---	---	---	---		
		70	0.7-1.0	10.1	7.24	13.0	8.07	---	---	---	---	---		
		70	0.8-1.2	---	---	15.9	13.0	---	---	---	---	---		

1. The maximum shutoff pressure when using ENVIRO-SEAL packing is defined by:  $\Delta P = \text{Table Value} - [1112 / (\text{Port Diameter})^2]$ . These table values should not be modified by this formula and the maximum  $\Delta P$  of 51.7 bar should be used for ENVIRO-SEAL packing.  
 2. The maximum shutoff pressure when using Flexible Graphite packing is defined by:  $\Delta P = \text{Table Value} - [5337 / (\text{Port Diameter})^2]$ . These table values should not be modified by this formula and the maximum  $\Delta P$  of 51.7 bar should be used for Flexible Graphite packing.

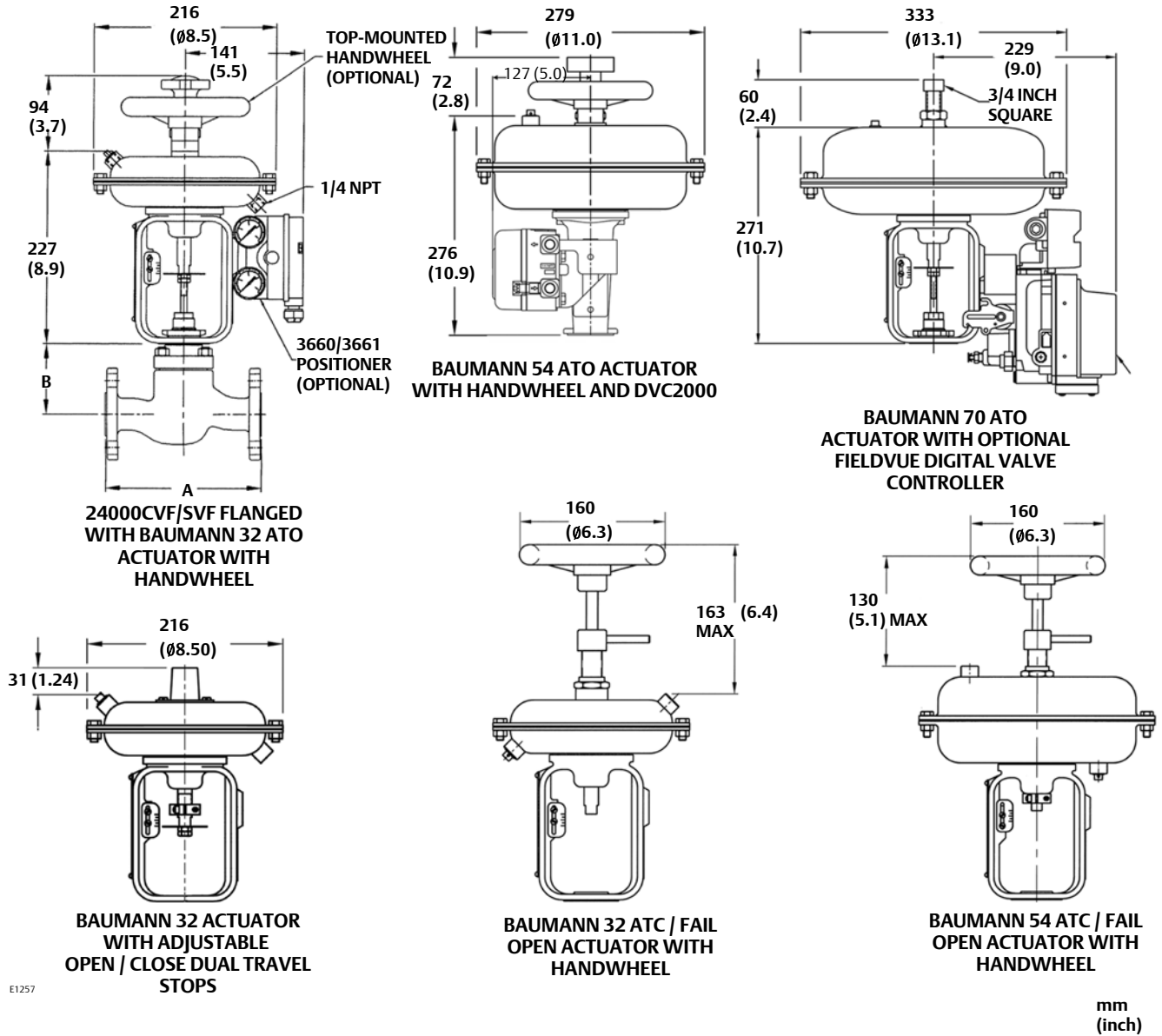
24000CVF and 24000SVF Valves

Table 14. Allowable Pressure Drops (psi). Do not exceed valve body temperature pressure ratings.

ORIFICE DIA. (in)	PLUG TRAVEL (in)	ACT TYPE	AIR-TO-OPEN ACTION					AIR-TO-CLOSE ACTION				
			BENCH RANGE (psig)	3-15 psig SIGNAL TO ACTUATOR		WITH POSITIONER 20 psig AIR SUPPLY		BENCH RANGE (psig)	3-15 psig SIGNAL TO ACTUATOR		WITH POSITIONER 20 psig AIR SUPPLY	
				Max CL IV Shutoff Press.	Max CL VI Shutoff Press.	Max CL IV Shutoff Press.	Max CL VI Shutoff Press.		Max CL IV Shutoff Press.	Max CL VI Shutoff Press.	Max CL IV Shutoff Press.	Max CL VI Shutoff Press.
0.156	0.50	32	5-15	750	---	750 <sup>(1)</sup>	---	3-13	750	---	750 <sup>(1,2)</sup>	---
0.25	0.50	32	5-15	750	---	750 <sup>(1)</sup>	---	3-13	750	---	750 <sup>(1,2)</sup>	---
0.3125	0.50	32	5-15	---	418	---	750 <sup>(1,2)</sup>	3-13	---	418	---	750 <sup>(1,2)</sup>
0.375	0.50	32	5-15	452	278	750 <sup>(1)</sup>	730	3-13	452	278	750 <sup>(1,2)</sup>	750 <sup>(1)</sup>
0.8125	0.50	32	5-15	113	19	226	132	3-13	113	19	396	301
		32	7-15	226	132	339	245	3-10	283	188	565	471
		54	4-15	86	---	257	162	3-13	171	77	600	505
		54	7-15	343	248	514	419	3-10	428	334	750 <sup>(1)</sup>	750 <sup>(1)</sup>
1.0625	0.50	54	9-15	514	419	685	591	---	---	---	---	---
		32	5-15	68	---	137	62	3-13	68	---	239	165
		32	7-15	137	62	205	130	3-10	171	96	342	267
		54	4-15	52	---	155	81	3-13	104	29	363	288
		54	7-15	207	132	311	236	3-10	259	184	518	443
1.25	0.75	54	9-15	311	236	414	340	---	---	---	---	---
		32	5-15	50	---	101	36	3-13	50	---	176	111
		32	---	---	---	---	---	3-10	126	61	251	187
		54	5-15	76	---	152	88	3-13	76	---	266	202
		54	7-13	152	88	228	164	3-10	190	126	381	316
		54	10-14	266	202	343	278	---	---	---	---	---
1.5	0.75	70	10-15	362	297	466	401	---	---	---	---	---
		32	5-15	35	---	71	16	3-13	35	---	124	69
		32	---	---	---	---	---	3-10	89	34	177	123
		54	5-15	54	---	107	53	3-13	54	---	188	133
		54	7-13	107	53	161	106	3-10	134	80	269	214
		54	10-14	188	133	242	187	---	---	---	---	---
		70	10-15	256	201	329	274	---	---	---	---	---
2.0	0.75	70	12-18	---	---	402	347	---	---	---	---	---
		32	5-15	20	---	41	---	3-13	20	---	71	29
		32	---	---	---	---	---	3-10	51	---	102	60
		54	5-15	31	---	62	20	3-13	31	---	108	66
		54	7-13	62	20	92	51	3-10	77	35	154	112
		54	10-14	108	66	139	97	---	---	---	---	---
		70	10-15	147	105	189	147	---	---	---	---	---
2.0	0.75	70	12-18	---	---	230	189	---	---	---	---	---

1. The maximum shutoff pressure when using ENVIRO-SEAL packing is defined by:  $\Delta P = \text{Table Value} - [25/(\text{Port Diameter})^2]$ . These table values should not be modified by this formula and the maximum  $\Delta P$  of 750 psi should be used for ENVIRO-SEAL packing.  
 2. The maximum shutoff pressure when using Flexible Graphite packing is defined by:  $\Delta P = \text{Table Value} - [120/(\text{Port Diameter})^2]$ . These table values should not be modified by this formula and the maximum  $\Delta P$  of 750 psi should be used for Flexible Graphite packing.

Figure 13. Dimensional Drawings



Note: Actuator removal requires 115 mm (4.5 inches) vertical clearance.

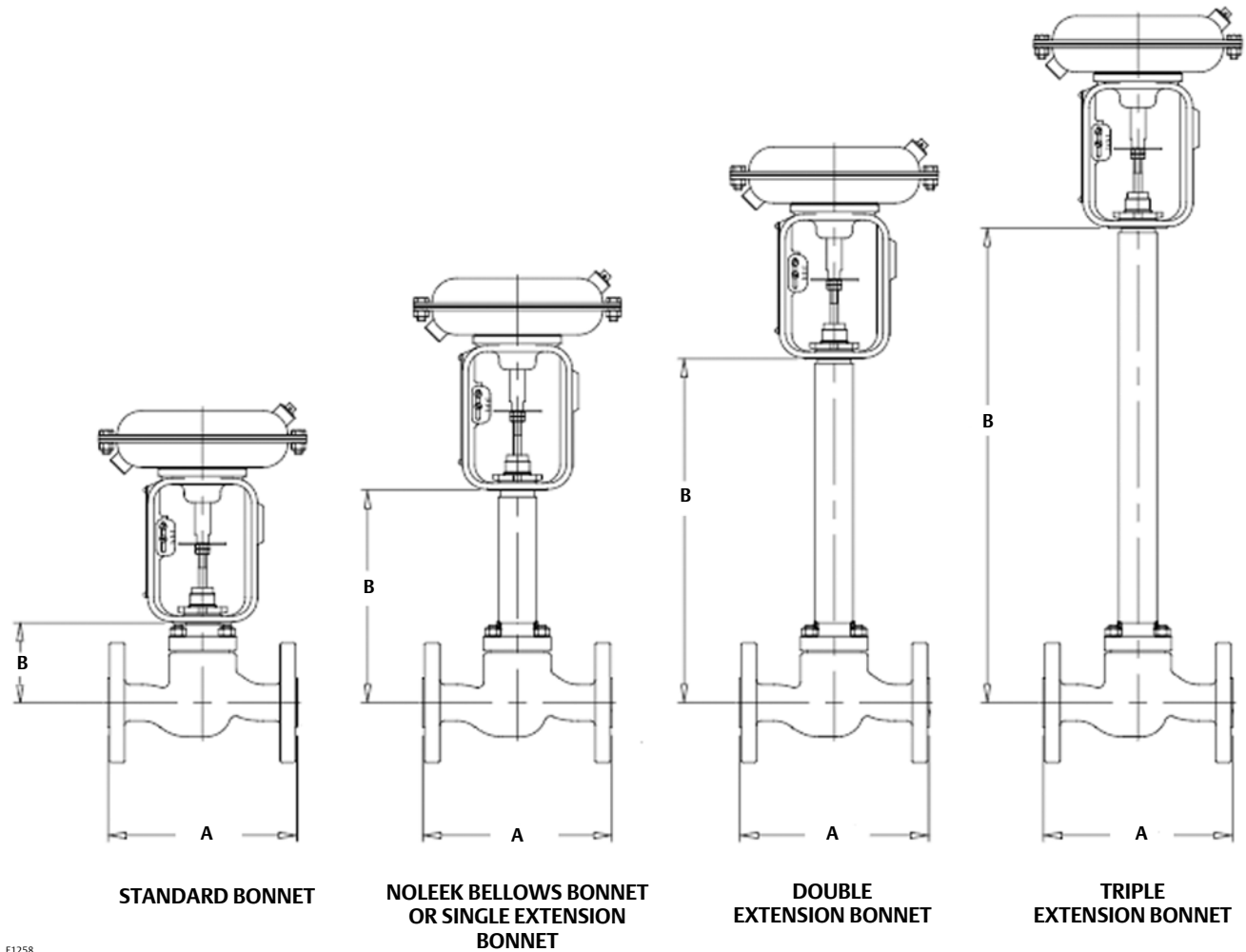
Table 15. Valve Assembly Weights

VALVE SIZE		24000CVF WEIGHTS						24000SVF WEIGHTS						ACTUATOR WEIGHTS		
EN	ASME	CL150		CL300		EN 10-40		CL150		CL300		EN 10-40		TYPE	kg	lb
DN	NPS	kg	lb	kg	lb	kg	lb	kg	lb	kg	lb	kg	lb			
15	1/2	3.1	6.8	3.3	8.3	3.8	7.7	3.7	7.2	3.5	8.2	3.5	7.8	32	4.5	10
20	3/4	3.3	7.3	3.4	10	4.5	9.2	4.7	7.4	4.2	10.3	4.3	9.4	54	11.3	25
25	1	4.8	10.6	5.1	13.8	6.3	12.6	6.4	11.2	5.7	14	5.9	13	70	15.4	34
40	1-1/2	8.3	18.2	8.3	24.8	11.3	21.2	11.4	18.3	9.6	25.2	9.8	21.7			
50	2	14.1	31	13.8	35.3	16	33.4	16.1	30.4	15.2	35.4	15.2	33.4			



24000CVF and 24000SVF Valves

Figure 14. Baumann 24000SVF Stainless Steel Control Valves with Extension Bonnets Dimensional Drawing



E1258

Table 16. Dimensions(1,2)

VALVE SIZE		A FACE-TO-FACE						B BONNET									
EN	ASME	CL150		CL300		EN 10-40		Standard		Extension <sup>(3)</sup>						NOLEEK Bellows <sup>(3)</sup>	
		mm	inch	mm	inch	mm	inch	mm	inch	Single		Double		Triple		mm	inch
DN	NPS	mm	inch	mm	inch	mm	inch	mm	inch	mm	inch	mm	inch	mm	inch	mm	inch
15	1/2	184	7.25	190	7.5	130	5.11	79	3.1	216	8.5	352	13.9	488	19.2	226	8.9
20	3/4	184	7.25	194	7.62	150	5.90	79	3.1	216	8.5	352	13.9	488	19.2	226	8.9
25	1	184	7.25	197	7.75	160	6.30	84	3.3	221	8.7	356	14.0	493	19.4	229	9.0
40	1-1/2	222	8.75	235	9.25	200	7.87	96	3.8	234	9.2	370	14.6	505	19.9	229	9.0
50	2	254	10.0	267	10.5	230	9.06	107	4.2	244	9.6	381	15.0	516	20.3	234	9.2

1. Actuator requires 115 mm (4.5 inches) vertical clearance.  
 2. Face-to-face dimension per EN 558-1 and ISA S75.03.  
 3. Extension and NOLEEK bellows bonnets are available with 24000SVF stainless steel body ONLY.

Table 17. Model Numbering System

Actuator Type	24		Characteristic	Seat Leakage	Valve Body Material		Bonnet Style	
	Valve Body	Plug Series			Carbon	Stainless Steel	Omit	Standard
32 <sup>(1)</sup>		102	Linear / Metal Seat	IV	CVF	Carbon	Omit	Standard
54		151	Modified Equal % / PTFE Seat	VI	SVF	Stainless Steel	E	Extended <sup>(3)</sup>
70		177	Modified Equal % / Reinforced PTFE	VI			EB	Bellows <sup>(3)</sup>
MV1020 <sup>(2)</sup>		548	Equal % / Metal Seat (S41600)	IV				
VA1020 <sup>(2)</sup>		577	Equal % / PTFE Seat	VI				
		588	Equal % / Metal Seat (S31600)	IV				
		648	Linear / Metal Seat (S41600)	IV				
		677	Linear / PTFE Seat	VI				
		688	Linear / Metal Seat (S31600)	IV				

1. Baumann 32 actuator requires dual stops with 177 trim series.  
 2. Refer to bulletin 52.1:ECV, Baumann Electronic Modulating Actuators, D103347X012, for details on these electronic actuators.  
 3. Only available with 24000SVF stainless steel valve bodies.



**Neither Emerson, Emerson Process Management, nor any of their affiliated entities assumes responsibility for the selection, use or maintenance of any product. Responsibility for proper selection, use, and maintenance of any product remains solely with the purchaser and end user.**

Baumann, Fisher, FIELDVUE, PlantWeb, and ENVIRO-SEAL are marks owned by one of the companies in the Emerson Process Management business unit of Emerson Electric Co. Emerson Process Management, Emerson, and the Emerson logo are trademarks and service marks of Emerson Electric Co. All other marks are the property of their respective owners.

The contents of this publication are presented for informational purposes only, and while every effort has been made to ensure their accuracy, they are not to be construed as warranties or guarantees, express or implied, regarding the products or services described herein or their use or applicability. All sales are governed by our terms and conditions, which are available upon request. We reserve the right to modify or improve the designs or specifications of such products at any time without notice.

По вопросам продаж и поддержки обращайтесь:

Волгоград (844)278-03-48, Воронеж (473)204-51-73, Екатеринбург (343)384-55-89, Казань(843)206-01-48,  
Краснодар(861)203-40-90, Красноярск(391)204-63-61, Москва(495)268-04-70, Нижний Новгород(831)429-08-12, Самара(846)206-03-16,  
Санкт-Петербург(812)309-46-40, Саратов(845)249-38-78,  
Единый адрес: fhv@nt-rt.ru